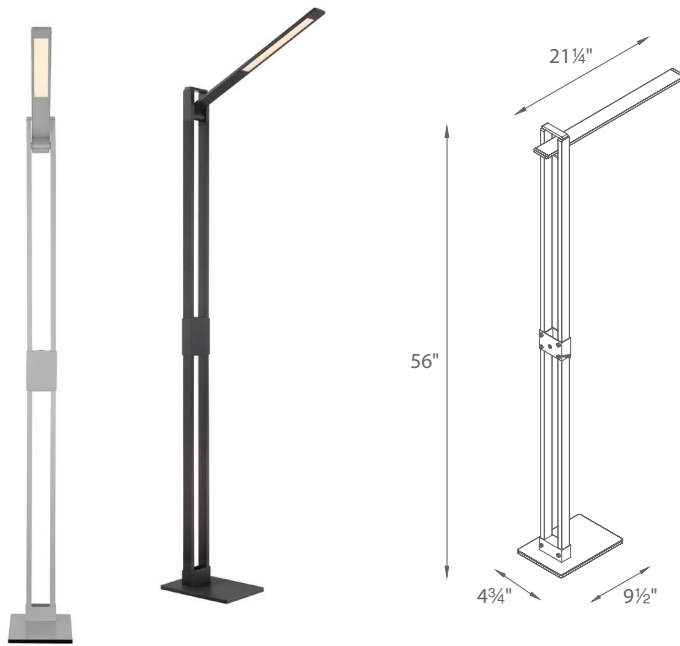


SUSPENSION – model: FL-1750

LED Floor Lamp



Fixture Type:

Catalog Number:

Project: _____

Location: _____

PRODUCT DESCRIPTION

A progressive design reminiscent of suspension bridges, cranes and levers. The Suspension floor lamp features a 180 degree adjustable arm with high powered LED module and a conveniently located fingertip touch dimmer.

SPECIFICATIONS

Construction: Aluminum.

Light Source: High output LED.



Finish: Titanium (TT), Black (BK).

Standards: ETL & cETL listed. CEC Title 20.

FEATURES

- ETL & cETL damp location listed
- CEC Title 20 Compliant
- Fingertip touch dimming
- Universal voltage (120V-220V)
- Driver located at the plug
- 80,000 hour rated life
- Color Temp: 3000K
- CRI: 85

ORDER NUMBER

Model	Wattage	Voltage	LED Lumens	Delivered Lumens	Finish
FL-1750	14W	120V-220V	485	352	TT Titanium  BK Black 

Example: **FL-1750-TT**

modernforms.com
Phone (800) 526.2588
Fax (800) 526.2585

Headquarters/Eastern Distribution Center
44 Harbor Park Drive
Port Washington, NY 11050

Central Distribution Center
1600 Distribution Ct
Lithia Springs, GA 30122

Western Distribution Center
1750 Archibald Avenue
Ontario, CA 91760