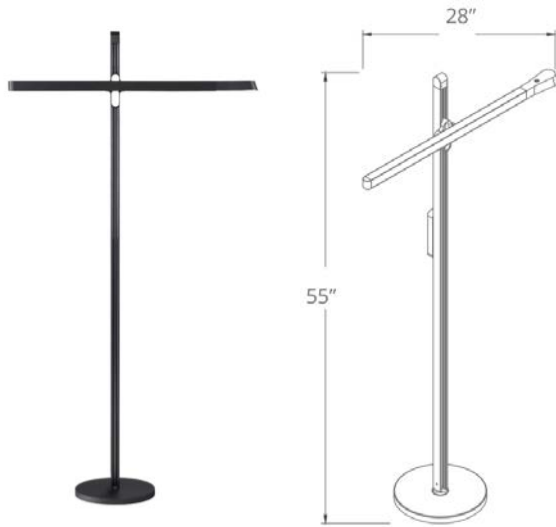


HANGMAN Task

FL-1950

MODERN FORMS



Fixture Type: _____

Catalog Number: _____

Project: _____

Location: _____

PRODUCT DESCRIPTION

A sleek, rectilinear form and user-friendly details make this modern table lamp a must-own for design professionals and anyone who wants to simplify their life. LEDs are amply powered with exceptionally engineered wireless power tracks. The horizontal bar slides up and down with ease so you can find the perfect height, while a simple finger swipe adjusts the brightness up or down.

SPECIFICATIONS

Construction: Aluminum

Light Source: High output LED

Finish: Brushed Aluminum, Black

Standards: ETL & cETL listed

FEATURES

- Smooth adjustable height
- Downward illumination
- Driver located at plug
- Dimmer: Fingertip touch dimming
- Color Temperature: 3000K
- CRI: 80
- Rated Life: 75000 hours

ORDER NUMBER

Model	Wattage	Voltage	LED Lumens	Delivered Lumens	Finish	
FL-1950	55"	8W	110V-240V	730	650	AL <i>Brushed Aluminum</i>
						BK <i>Black</i>

Example: **FL-1950-BK**

modernforms.com
Phone (866) 810.6615
Fax (800) 526.2585

Headquarters/Eastern Distribution Center
44 Harbor Park Drive
Port Washington, NY 11050

Central Distribution Center
1600 Distribution Ct
Lithia Springs, GA 30122

Western Distribution Center
1750 Archibald Avenue
Ontario, CA 91760