

INSTALLATION INSTRUCTION

SABRE- Vanities & Wall Sconces

WS-W81619



WARNING

IMPORTANT: NEVER attempt any work without shutting off the electricity.

- Read all instructions before installing.
- System is intended for installation by a qualified electrician in accordance with the National Electrical Code and local regulations.
- Go to the main fuse box, or circuit breaker. Place the main power switch in the "OFF" position and unscrew the fuse(s) or switch "OFF" the circuit breaker switch(es) that control the power to the fixture or room that you are working on.
- Place the wall switch in the "OFF" position.

CAUTION

- All parts must be used as indicated in these instructions. Do not substitute any parts, leave parts out, or use any parts that are worn out or broken. Failure to follow this instruction could invalidate the ETL/CETL listing of this fixture.
- CAUTION When handling the fixture, do not apply pressure to the LEDs. Hold the fixture by the base only.

AVERTISSEMENT

IMPORTANT : Coupez l'électricité avant TOUTE manipulation.

- Lisez toutes les instructions avant d'installer.
- Système est destiné à être installé par un électricien qualifié en conformité avec le code national de l'électricité et les règlements locaux.
- Accédez au panneau central de disjoncteurs ou de fusibles de votre demeure et placez l'interrupteur principal en position d'arrêt (« OFF »).
- Placez l'interrupteur mural en position d'arrêt (« OFF »).

MISE EN GARDE

- Toutes les pièces doivent être utilisées tel qu'il est indiqué dans ces instructions. Ne remplacez pas les pièces, n'en laissez pas de côté et ne les utilisez pas si elles sont usées ou brisées. Le non-respect de ces instructions peut annuler l'homologation ETL/CETL du luminaire. MISE EN GARDE Ors de la manipulation de l'appareil, ne pas appliquer de pression à la LED, tenir l'appareil par la seule base.

ADVERTENCIA





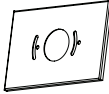


IMPORTANTE: NUNCA intente hacer trabajos sin desconectar el suministro eléctrico.

- Lea y comprenda todas las instrucciones e ilustraciones por completo antes de proceder con el ensamblaje e instalación de esta lámpara.
- Sistema está diseñado para ser instalado por un electricista calificado, de acuerdo con el código eléctrico nacional y las normas locales.
- Diríjase a la caja de fusibles o a la caja del interruptor de circuito principal en su hogar. Coloque el interruptor de alimentación principal en la posición "OFF" (APAGADO).
- Coloque el interruptor de la pared en la posición "OFF" (APAGADO).

PRECAUCIÓN

- Todas las piezas deben usarse como lo indican estas instrucciones. No reemplace las piezas, no omita piezas durante la instalación ni utilice piezas gastadas o rotas. El incumplimiento de esta indicación podría invalidar la calificación ETL/CETL esta lámpara. PRECAUCIÓN Al manipular el aparato, no aplique presión a los LED, mantenga el aparato en la base sólo.

HARDWARE

A1	B1	C1	D1	E1	F1	G1
						
Wire Connector Qty: 3PCS+1Extra 7EAC112201 P3	Junction Box Screw Qty: 2 pcs + 1 Extra 7MPF0415C2 #8-32x9/16 Stainless Steel	Mounting Screw Qty: 1pc Extra 7MPF0412S3 5/32"-32x1/2 Stainless Steel	Waterproof Washer Qty: 1pc Extra 7TGD060301CL	Conversion Plate Qty: 1pc 4MBA151110BA	Mounting Ring Qty: 1pc 7MBC101501	Assembly Screw Qty: 2pc + 1Extra 7MPF0808C1 #8-32x5/16 Nickel Plating

Modern Forms

www.modernforms.com
Phone (800) 526.2588 • Fax (800) 526.2585

Headquarters/Eastern Distribution Center

44 Harbor Park Drive • Port Washington, NY 11050
Phone (516) 515.5000 • Fax (516) 515.5050

Western Distribution Center

1750 Archibald Ave • Ontario, CA 91761
Phone (800) 526.2588 • Fax (800) 526.2585



FIG. 1 MOUNT ON SWITCH

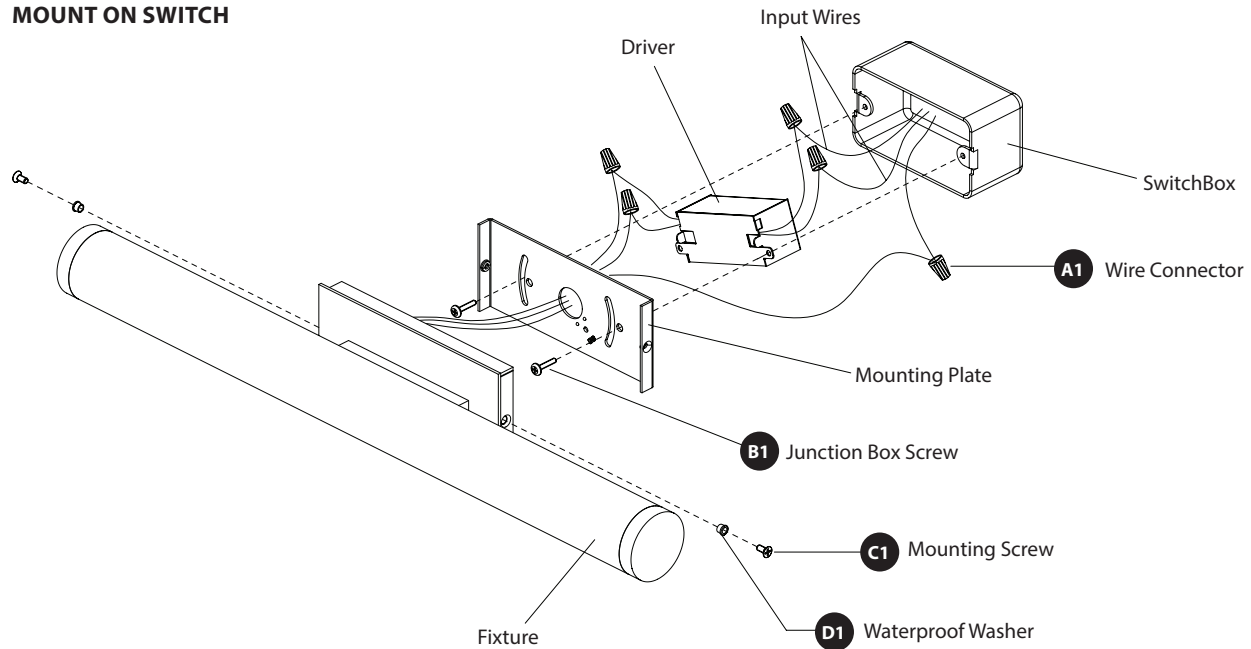
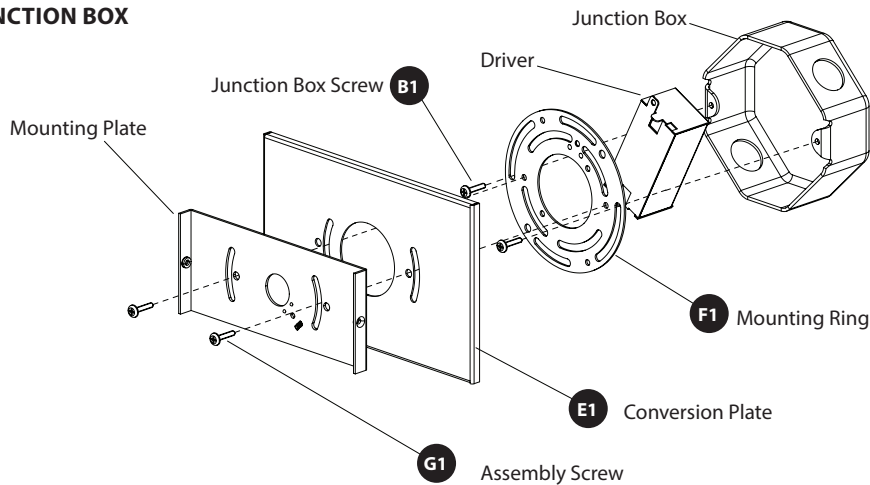
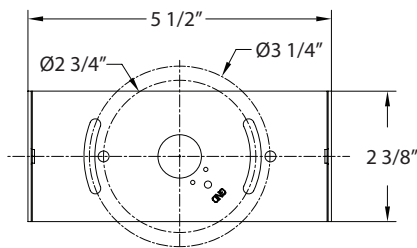


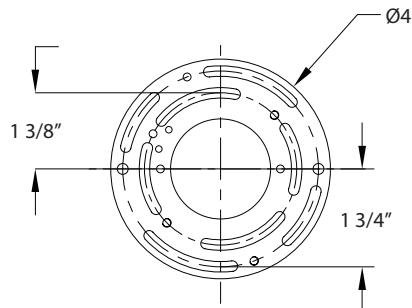
FIG. 2 MOUNT ON JUNCTION BOX



Back Plate Dimensions



Mounting Ring Dimensions



PREPARATION

1. Shut off the power at the circuit breaker and remove existing fixture, including the crossbar.
2. Carefully unpack your new fixture and lay out all the parts on a clear area. Be careful not to lose any small parts necessary for installation.

INSTALLATION

MOUNT ON SWITCH BOX (Fig. 1)

3. Remove the mounting screw (C1) and waterproof washer (D1) from the fixture.
4. Connect the driver input/output wire to supply wires as shown in **Fig. 3**, making sure that all wire connectors (A1) are secured. If your outlet box has a green or bare copper ground wire, connect the fixture's ground wire to it. Otherwise, connect the fixture's ground wire directly to the back plate using the green screw provided. After wires are connected, tuck them carefully inside the switch box.
5. Secure the mounting plate to the switch box using the junction box screw (B1). The side of the mounting plate marked "GND" must face out.
6. Place the fixture over the mounting back plate, and secure it with mounting screw (C1) and water proof washer (D1).
7. To prevent moisture from entering the outlet box and causing a short, use clear caulking (i.e. indoor/outdoor silicone sealant) to outline the outside of fixture back plate where it meets the wall. Leave a space at the bottom to allow moisture to escape **Fig. 4**.

OR

MOUNT ON JUNCTION BOX (Fig. 2)

3. Remove the mounting screw (C1) and waterproof washer (D1) from the fixture.
4. Connect the driver input/output wire to supply wires as shown in **Fig. 3**, making sure that all wire connectors (A1) are secured. If your outlet box has a green or bare copper ground wire, connect the fixture's ground wire to it. Otherwise, connect the fixture's ground wire directly to the back plate using the green screw provided. After wires are connected, tuck them carefully inside the junction box.
5. Secure the mounting ring (D1) to the junction box using the junction box screw (B1). Make sure the two holes (spacing 2-3/4") are horizontal as shown in **Fig 2**. The side of the mounting plate marked "GND" must face out.
6. Place the mounting plate and the conversion plate (E1) onto the mounting ring (F1), secure them with assembly screw (G1).
7. Place the fixture over the mounting back plate, and secure it with mounting screw (C1) and water proof washer (D1).
8. To prevent moisture from entering the outlet box and causing a short, use clear caulking (i.e. indoor/outdoor silicone sealant) to outline the outside of fixture back plate where it meets the wall. Leave a space at the bottom to allow moisture to escape **Fig. 4**.

Fig.2 Wiring

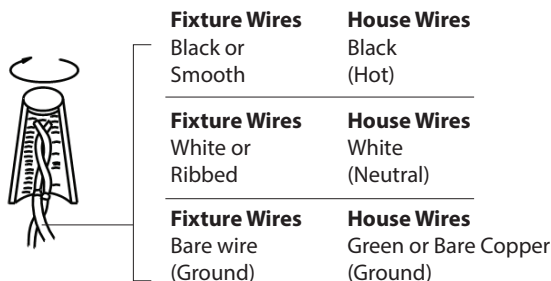
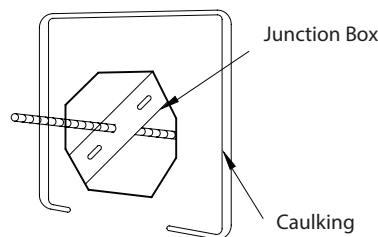


Fig. 4 Sealing



INSTALLATION INSTRUCTION
SABRE- Vanities & Wall Sconces
WS-W81625/WS-W81637



WARNING

IMPORTANT: NEVER attempt any work without shutting off the electricity.

- Read all instructions before installing.
- System is intended for installation by a qualified electrician in accordance with the National Electrical Code and local regulations.
- Go to the main fuse box, or circuit breaker. Place the main power switch in the "OFF" position and unscrew the fuse(s) or switch "OFF" the circuit breaker switch(es) that control the power to the fixture or room that you are working on.
- Place the wall switch in the "OFF" position.

CAUTION

- All parts must be used as indicated in these instructions. Do not substitute any parts, leave parts out, or use any parts that are worn out or broken. Failure to follow this instruction could invalidate the ETL/CETL listing of this fixture.
- CAUTION When handling the fixture, do not apply pressure to the LEDs. Hold the fixture by the base only.

AVERTISSEMENT

IMPORTANT : Coupez l'électricité avant TOUTE manipulation.

- Lisez toutes les instructions avant d'installer.
- Système est destiné à être installé par un électricien qualifié en conformité avec le code national de l'électricité et les règlements locaux.
- Accédez au panneau central de disjoncteurs ou de fusibles de votre demeure et placez l'interrupteur principal en position d'arrêt (« OFF »).
- Placez l'interrupteur mural en position d'arrêt (« OFF »).

MISE EN GARDE

- Toutes les pièces doivent être utilisées tel qu'il est indiqué dans ces instructions. Ne remplacez pas les pièces, n'en laissez pas de côté et ne les utilisez pas si elles sont usées ou brisées. Le non-respect de ces instructions peut annuler l'homologation ETL/CETL du luminaire. MISE EN GARDE Ors de la manipulation de l'appareil, ne pas appliquer de pression à la LED, tenir l'appareil par la seule base.

ADVERTENCIA

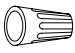
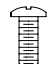


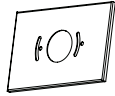

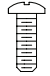
IMPORTANTE: NUNCA intente hacer trabajos sin desconectar el suministro eléctrico.

- Lea y comprenda todas las instrucciones e ilustraciones por completo antes de proceder con el ensamblaje e instalación de esta lámpara.
- Sistema está diseñado para ser instalado por un electricista calificado, de acuerdo con el código eléctrico nacional y las normas locales.
- Diríjase a la caja de fusibles o a la caja del interruptor de circuito principal en su hogar. Coloque el interruptor de alimentación principal en la posición "OFF" (APAGADO).
- Coloque el interruptor de la pared en la posición "OFF" (APAGADO).

PRECAUCIÓN

- Todas las piezas deben usarse como lo indican estas instrucciones. No reemplace las piezas, no omita piezas durante la instalación ni utilice piezas gastadas o rotas. El incumplimiento de esta indicación podría invalidar la calificación ETL/CETL esta lámpara. PRECAUCIÓN Al manipular el aparato, no aplique presión a los LED, mantenga el aparato en la base sólo.

HARDWARE

A1	B1	C1	D1	E1	F1	G1
						
Wire Connector Qty: 3PCS+1Extra 7EAC112201 P3	Junction Box Screw Qty: 2 pcs + 1 Extra 7MPF0415C2 #8-32x9/16 Stainless Steel	Mounting Screw Qty: 1pc Extra 7MPF0412S3 5/32"-32x1/2 Stainless Steel	Waterproof Washer Qty: 1pc Extra 7TGD060301CL	Conversion Plate Qty: 1pc 4MBA151110BA	Mounting Ring Qty: 1pc 7MBC101501	Assembly Screw Qty: 2pc + 1Extra 7MPF0808C1 #8-32x5/16 Nickel Plating

Modern Forms

www.modernforms.com
 Phone (800) 526.2588 • Fax (800) 526.2585

Headquarters/Eastern Distribution Center

44 Harbor Park Drive • Port Washington, NY 11050
 Phone (516) 515.5000 • Fax (516) 515.5050

Western Distribution Center

1750 Archibald Ave • Ontario, CA 91761
 Phone (800) 526.2588 • Fax (800) 526.2585



FIG. 1 MOUNT ON SWITCH

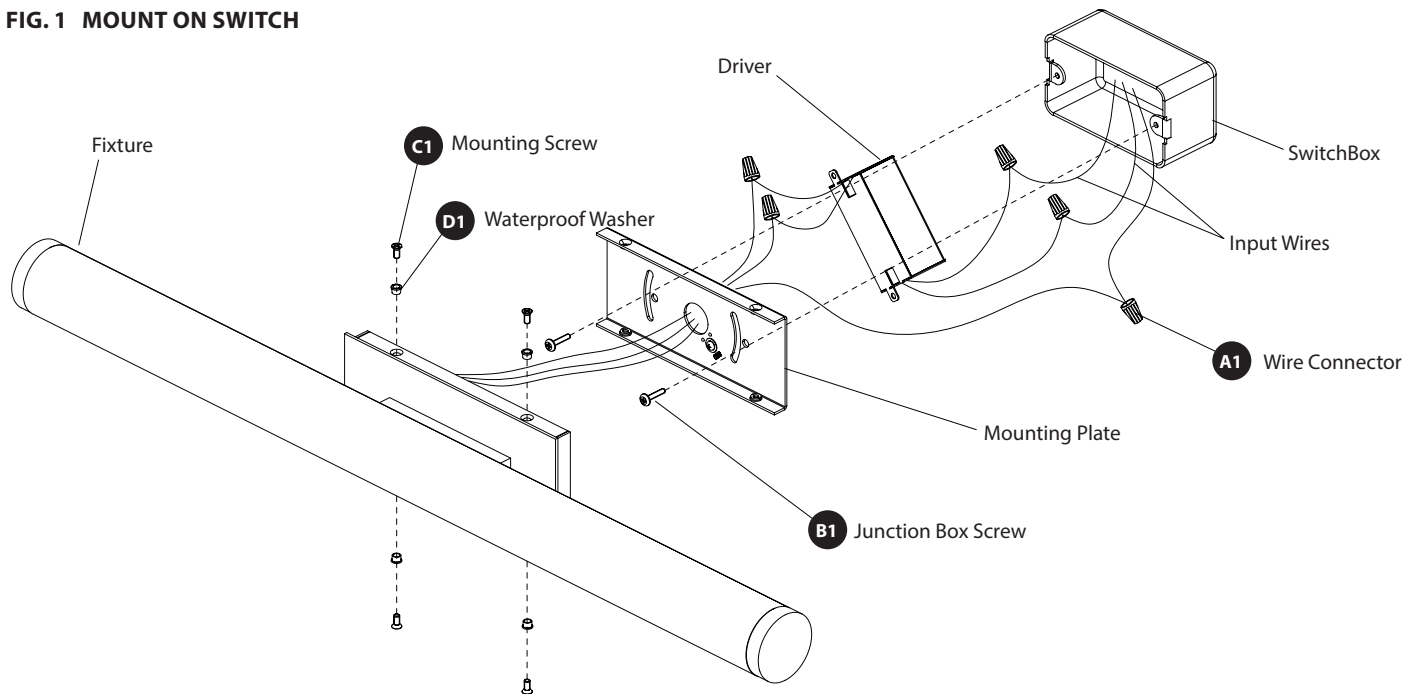
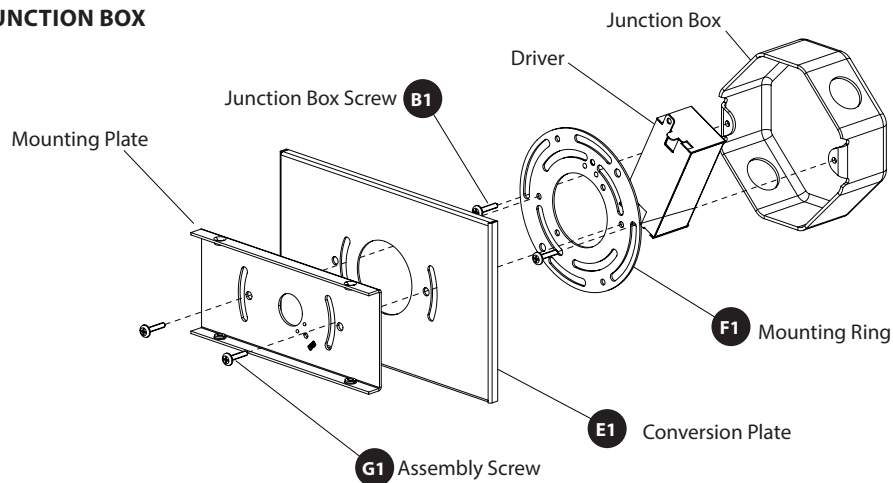
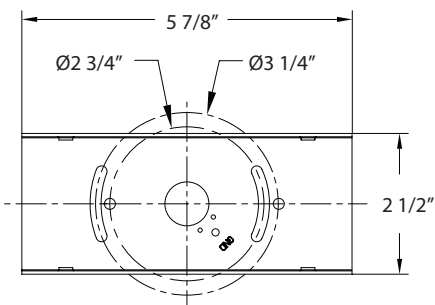


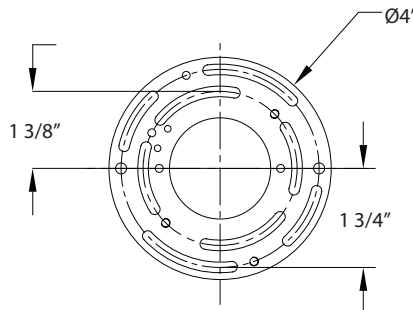
FIG. 2 MOUNT ON JUNCTION BOX



Back Plate Dimensions



Mounting Ring Dimensions



PREPARATION

1. Shut off the power at the circuit breaker and remove existing fixture, including the crossbar.
2. Carefully unpack your new fixture and lay out all the parts on a clear area. Be careful not to lose any small parts necessary for installation.

INSTALLATION

MOUNT ON SWITCH BOX (Fig. 1)

3. Remove the mounting screw (C1) and waterproof washer (D1) from the fixture.
4. Connect the driver input/output wire to supply wires as shown in **Fig. 3**, making sure that all wire connectors (A1) are secured. If your outlet box has a green or bare copper ground wire, connect the fixture's ground wire to it. Otherwise, connect the fixture's ground wire directly to the back plate using the green screw provided. After wires are connected, tuck them carefully inside the switch box.
5. Secure the mounting plate to the switch box using the junction box screw (B1). The side of the mounting plate marked "GND" must face out.
6. Place the fixture over the mounting back plate, and secure it with mounting screw (C1) and water proof washer (D1).
7. To prevent moisture from entering the outlet box and causing a short, use clear caulking (i.e. indoor/outdoor silicone sealant) to outline the outside of fixture back plate where it meets the wall. Leave a space at the bottom to allow moisture to escape **Fig. 4**.

OR

MOUNT ON JUNCTION BOX (Fig. 2)

3. Remove the mounting screw (C1) and waterproof washer (D1) from the fixture.
4. Connect the driver input/output wire to supply wires as shown in **Fig. 3**, making sure that all wire connectors (A1) are secured. If your outlet box has a green or bare copper ground wire, connect the fixture's ground wire to it. Otherwise, connect the fixture's ground wire directly to the back plate using the green screw provided. After wires are connected, tuck them carefully inside the junction box.
5. Secure the mounting ring (D1) to the junction box using the junction box screw (B1). Make sure the two holes (spacing 2-3/4") are horizontal as shown in **Fig 2**. The side of the mounting plate marked "GND" must face out.
6. Place the mounting plate and the conversion plate (E1) onto the mounting ring (F1), secure them with assembly screw (G1).
7. Place the fixture over the mounting back plate, and secure it with mounting screw (C1) and water proof washer (D1).
8. To prevent moisture from entering the outlet box and causing a short, use clear caulking (i.e. indoor/outdoor silicone sealant) to outline the outside of fixture back plate where it meets the wall. Leave a space at the bottom to allow moisture to escape **Fig. 4**.

Fig.2 Wiring

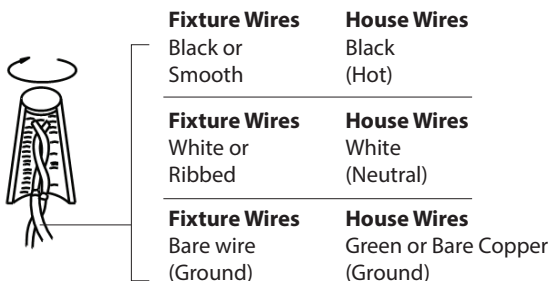


Fig. 4 Sealing

