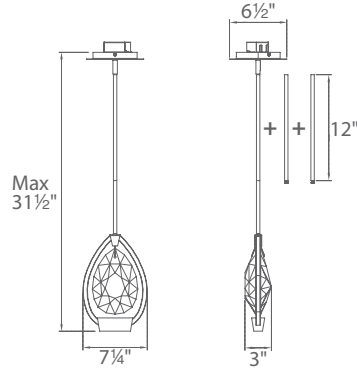
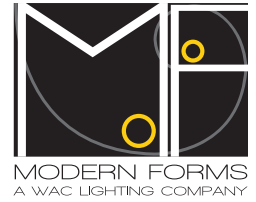


TIFFANY – model: PD-627

LED Interior Pendant



Fixture Type:

Catalog Number:

Project: _____

Location: _____

PRODUCT DESCRIPTION

An iconic teardrop faceted crystal dangles alluringly within a polished nickel frame with a functional down light. Its lavish appearance is well suited for a luxurious kitchen table or bar area, and even as a high class nightstand pendant.

FEATURES

- ETL & cETL damp location listed
- Hand cut clear crystal
- Driver located in standard 4" junction box
- Universal driver (120V-220V-277V)
- Hang straight swivel
- 10' of wire included to extend pendant up to a total of 120", three 12" and one 6" down rods included (additional down rods available for purchase)
- Up and down light
- Full range dimming when used with compatible dimmers*
- 55,000 hour rated life
- Color Temp: 3500K
- CRI: 90

ORDER NUMBER

	Wattage	Voltage	LED Lumens	Delivered Lumens	Finish
PD-62711	11W	120V-277V	690	546	PN Polished Nickel

Example: **PD-62711-PN**

SPECIFICATIONS

Construction: Aluminum and Clear optic crystal

Light Source: High output LED.

Finish: Polished Nickel (PN)

Standards: ETL & cETL damp location listed.

REPLACEMENT ROD

Model	Length	Finish
RPL-RODIN06-886-PN	6"	Polished Nickel
RPL-RODIN12-886-PN	12"	Polished Nickel

modernforms.com
Phone (800) 526.2588
Fax (800) 526.2585

Headquarters/Eastern Distribution Center
44 Harbor Park Drive
Port Washington, NY 11050

Central Distribution Center
1600 Distribution Ct
Lithia Springs, GA 30122

Western Distribution Center
1750 Archibald Avenue
Ontario, CA 91760