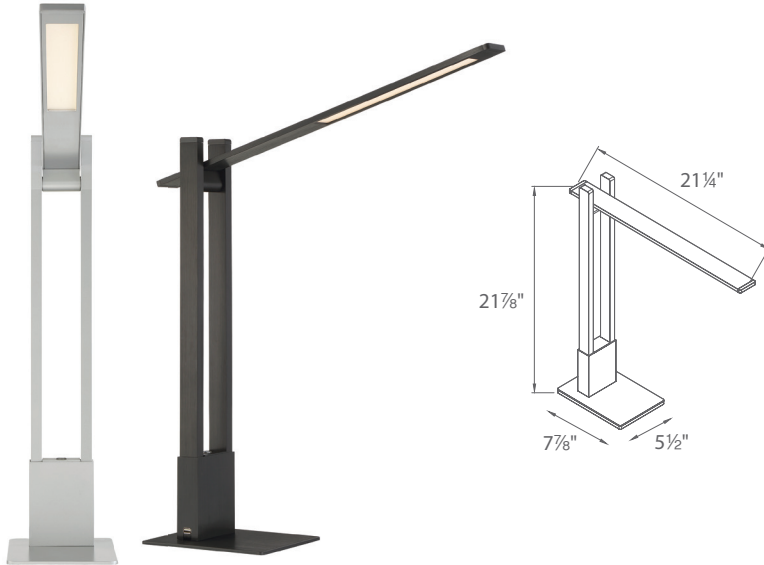


# SUSPENSION – model: TL-1710

## LED Table Lamp



Fixture Type:

Catalog Number:

Project: \_\_\_\_\_

Location: \_\_\_\_\_



### PRODUCT DESCRIPTION

A progressive design reminiscent of suspension bridges, cranes and levers. The Suspension task lamp performs with a 180 degree adjustable arm with high powered LED module, and features both a simple fingertip touch dimmer at the base and a USB power connector that enables you to recharge accessories.

### FEATURES

- Built-in USB charging outlet
- ETL & cETL damp location listed
- CEC Title 20 Compliant
- Fingertip touch dimming
- Universal voltage (120V-220V)
- Driver located at the plug
- 80,000 hour rated life
- Color Temp: 3000K
- CRI: 85

### ORDER NUMBER

Model	Wattage	Voltage	LED Lumens	Delivered Lumens	Finish
<b>TL-1710</b>	12W	120V-220V	485	352	<b>TT</b> Titanium  <b>BK</b> Black 

Example: **TL-1710-TT**

### SPECIFICATIONS

**Construction:** Aluminum.

**Light Source:** High output LED.

**Finish:** Titanium (TT), Black (BK).

**Standards:** ETL & cETL listed. CEC Title 20.

modernforms.com  
Phone (800) 526.2588  
Fax (800) 526.2585

Headquarters/Eastern Distribution Center  
44 Harbor Park Drive  
Port Washington, NY 11050

Central Distribution Center  
1600 Distribution Ct  
Lithia Springs, GA 30122

Western Distribution Center  
1750 Archibald Avenue  
Ontario, CA 91760