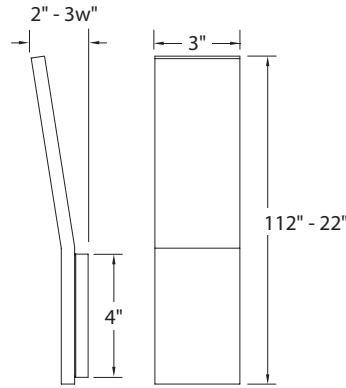
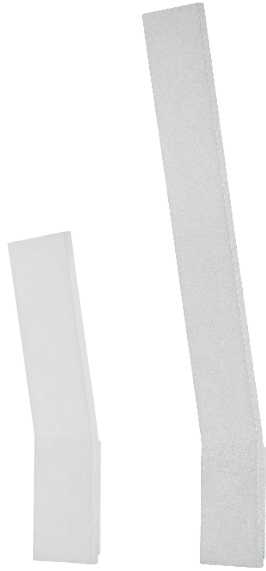


BLADE – model: WS-115

LED Wall Sconces



Fixture Type:

Catalog Number:

Project: _____

Location: _____

PRODUCT DESCRIPTION

A new slant on modern lighting. This low profile angular sconce deploys robust indirect illumination of walls and surfaces in two sizes for various applications. The subtle graduated design offers a unique look and high style appeal.

FEATURES

- ETL & cETL listed for damp locations
- ADA compliant, low profile design
- Conversion plate for 4" J box included
- No transformer or driver required
- Replaceable LED module
- **80,000 hour rated life**
- **Color Temp: 3000K**
- **CRI: 90**

SPECIFICATIONS

- Construction:** Aluminum
- Light Source:** High output LED
- Dimming:** Dims to 10% with an electronic low voltage (ELV) dimmer
- Mounting:** Mounts only on a 2" x 4" vertical switch box
- Finish:** White (WT)

ORDER NUMBER

Model	Height	Watt	Voltage	LED Lumens	Delivered Lumens	Finish
WS-115	11 11"	9W	120V	805	580	AL <i>Brushed Aluminum</i> WT <i>White</i>
	22 22"	19W	120V	1615	1175	

REPLACEMENT GLASS

Model	Fixture
RPL-GLA-11311-01	<i>WS-11310</i>
RPL-GLA-11311-02	<i>WS-11311</i>

WS-115 -

Example: **WS-11511-WT**

For 277V special order, add an "F" before the finish: **WS-11511F-WT**

wacighting.com
Phone (800) 526.2588
Fax (800) 526.2585

Headquarters/Eastern Distribution Center
44 Harbor Park Drive
Port Washington, NY 11050

Central Distribution Center
1600 Distribution Ct
Lithia Springs, GA 30122

Western Distribution Center
1750 Archibald Avenue
Ontario, CA 91760