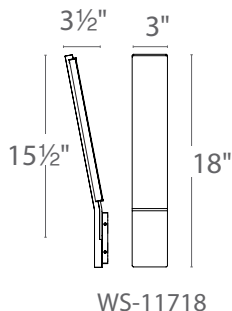
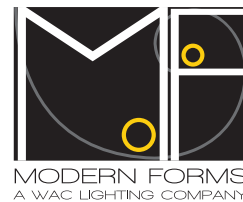


# BLADE – model: WS-117

## LED Interior Sconce



Fixture Type:

Catalog Number:

Project: \_\_\_\_\_

Location: \_\_\_\_\_

### PRODUCT DESCRIPTION

A new slant on modern lighting. This low profile angular sconce deploys robust indirect illumination of walls and surfaces. The subtle graduated design offers a unique look and high style in rich walnut wood.

### FEATURES

- ADA compliant, low profile design
- ETL & cETL damp location listed
- Walnut wood
- Brushed Aluminum conversion plate included for 4" Junction box
- Mounts on a 2" x 4" switch box
- No transformer or driver required
- Full range dimming when used with compatible dimmers\*
- 277V option available (special order)
- 50,000 hour rated life
- Color Temp: 3000K
- CRI: 90

### SPECIFICATIONS

**Construction:** Wood

**Light Source:** High output LED.

**Finish:** Brushed Aluminum (AL). Walnut (WAL), White (WT)

**Standards:** ETL & cETL damp location listed. ADA compliant.

### ORDER NUMBER

|                 | Wattage | Voltage | LED Lumens | Delivered Lumens | Finish                                                             |
|-----------------|---------|---------|------------|------------------|--------------------------------------------------------------------|
| <b>WS-11718</b> | 19W     | 120V    | 1348       | 1225             | <b>WAL</b> Walnut<br><b>AL</b> Brushed Aluminum<br><b>WT</b> White |

Example: **WS-11718-WAL**

For 277V special order, add an "F" before the finish: **WS-11718F-WAL**

modernforms.com  
Phone (800) 526.2588  
Fax (800) 526.2585

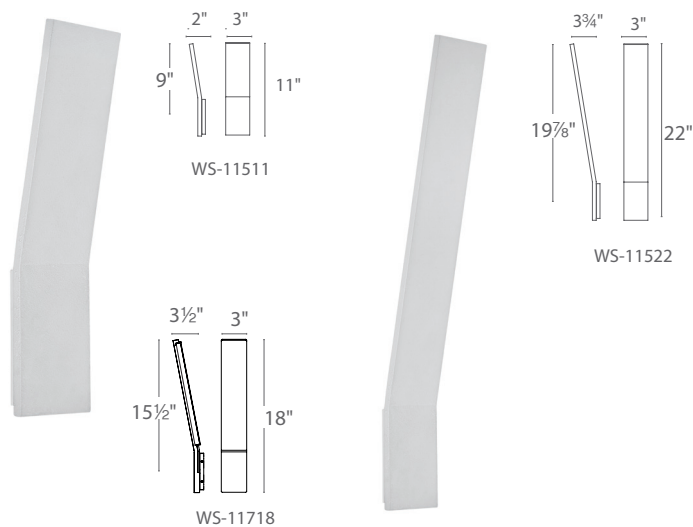
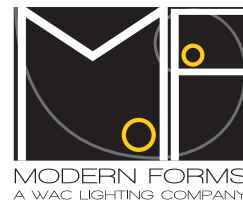
Headquarters/Eastern Distribution Center  
44 Harbor Park Drive  
Port Washington, NY 11050

Central Distribution Center  
1600 Distribution Ct  
Lithia Springs, GA 30122

Western Distribution Center  
1750 Archibald Avenue  
Ontario, CA 91760

# BLADE – model: WS-115, WS-117

## LED Interior Sconce



Fixture Type:

Catalog Number:

Project: \_\_\_\_\_

Location: \_\_\_\_\_

### PRODUCT DESCRIPTION

A new slant on modern lighting. This low profile angular sconce deploys robust indirect illumination of walls and surfaces in two sizes for various applications. The subtle graduated design offers a unique look and high style appeal.

### FEATURES

- ADA compliant, low profile design
- ETL & cETL Damp Location Listed
- Mounts on a 2" x 4" switch box
- Conversion plate for 4" J box included
- Full range dimming when used with compatible dimmers\*
- No transformer or driver required
- 277V option available (special order)
- 50,000 hour rated life
- Color Temp: 3000K
- CRI: 90
- 5 year product warranty

### SPECIFICATIONS


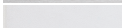
#### Construction:

**Light Source:** High output LED.

**Finish:** Brushed Aluminum (AL). White (WT)

**Standards:** Damp location listed. ADA compliant.  
ETL & cETL Damp Location Listed

### ORDER NUMBER

| Model           | Height | Wattage | Voltage | LED Lumens | Delivered Lumens | Finish                                                                                                                                                                                                                                |
|-----------------|--------|---------|---------|------------|------------------|---------------------------------------------------------------------------------------------------------------------------------------------------------------------------------------------------------------------------------------|
| <b>WS-11511</b> | 11"    | 9.5W    |         | 808        | 660              | <b>AL</b> <i>Brushed Aluminum</i> <br><b>WT</b> <i>White</i>  |
| <b>WS-11718</b> | 18"    | 19W     | 120V    | 1348       | 1225             |                                                                                                                                                                                                                                       |
| <b>WS-11522</b> | 22"    | 18.5W   |         | 1332       | 1150             |                                                                                                                                                                                                                                       |

Example: **WS-11522-AL**

For 277V special order, add an "F" before the finish: **WS-11522F-WT**

modernforms.com  
Phone (800) 526.2588  
Fax (800) 526.2585

Headquarters/Eastern Distribution Center  
44 Harbor Park Drive  
Port Washington, NY 11050

Central Distribution Center  
1600 Distribution Ct  
Lithia Springs, GA 30122

Western Distribution Center  
1750 Archibald Avenue  
Ontario, CA 91760