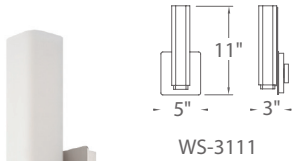
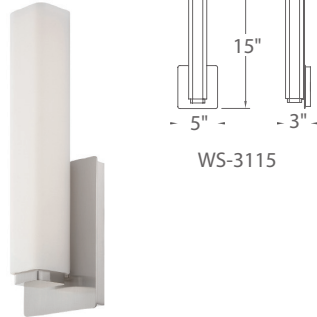


VOGUE – model: WS-31
LED Bath & Interior Sconce

MODERN FORMS



WS-3111



WS-3115

Fixture Type:

Catalog Number:

Project: _____

Location: _____

PRODUCT DESCRIPTION

From transitional to contemporary, the Vogue family coordinates with popular bath hardware and metal finishes. An extensive range of LED wall luminaires are available for every application and environment. Crafted of mouth blown etched opal glass and designed with hidden hardware, these luminaires offer powerful lumen output and excellent color rendering.

FEATURES

- ETL & cETL damp location listed
- ADA compliant, low profile design
- Mouth blown etched opal glass
- Full range dimming when used with compatible dimmers*
- No transformer or driver required
- 277V option available (special order)
- Replaceable LED module
- 80,000 hour rated life
- Color Temp: 3000K (2700K / 3500K available special order)
- CRI: 90

SPECIFICATIONS

Construction: Mouth blown etched opal glass

Light Source: High Output LED

Finish: Brushed Nickel (BN), Bronze (Br), Chrome (CH)

Standards: ETL & cETL damp location listed. ADA compliant.

REPLACEMENT GLASS

Part#	Fixture
RPL-GLA-3115	WS-3115
RPL-GLA-3111	WS-3111

ORDER NUMBER

Model	Height	Watt	Voltage	LED Lumens	Delivered Lumens	Finish
WS-3111	11"	16W	120V	938	410	BN <i>Brushed Nickel</i>
WS-3115	15"	21W		1250	590	BZ <i>Bronze</i>
						CH <i>Chrome</i>

Example: **WS-3111-BN**

For 277V special order, add an "F" before the finish: **WS-W3111F-BN**

For 2700K add "-27"; 3500K add "-35" before the finish: **WS-W3111-35-BN**

modernforms.com
Phone (800) 526.2588
Fax (800) 526.2585

Headquarters/Eastern Distribution Center
44 Harbor Park Drive
Port Washington, NY 11050

Central Distribution Center
1600 Distribution Ct
Lithia Springs, GA 30122

Western Distribution Center
1750 Archibald Avenue
Ontario, CA 91760