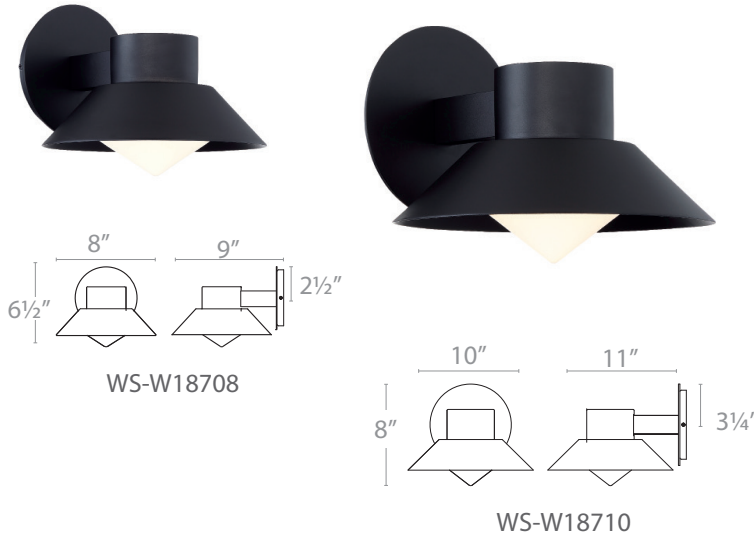


OSLO – model: WS-W187
LED Exterior Sconce

MODERN FORMS



Fixture Type:

Catalog Number:

Project: _____

Location: _____

PRODUCT DESCRIPTION

Add sophistication to your exteriors with Oslo, a pointedly rendered design influenced by marine and industrial styling. This wall luminaire yields exquisite mouth blown etched opal glass with a unique conical profile. Dark sky friendly with long lasting, energy efficient LEDs. Two finishes and sizes available.

FEATURES

- ETL & cETL Wet location listed, IP65 rated
- Low profile design
- Mouth blown etched opal glass
- Aluminum construction
- No transformer or driver required
- Full range dimming when used with compatible dimmers*
- 80,000 hour rated life
- Color Temp: 3000K

SPECIFICATIONS

Construction: Aluminum and Mouth blown opal etched glass

Light Source: High output LED.


Finish: Brushed Aluminum (AL), Black (BK)

Standards: ETL & cETL wet location listed IP 65.

REPLACEMENT GLASS

Part#	Fixture
RPL-GLA-18710	WS-W18710
RPL-GLA-18708	WS-W18708

ORDER NUMBER

	Length	Wattage	Voltage	LED Lumens	Delivered Lumens	Finish
WS-W18708	8"	8.5W	120V	510	235	AL <i>Brushed Aluminum</i> BK <i>Black</i> 
WS-W18710	10"	12W		760	350	

Example: **WS-W18708-AL**

modernforms.com
Phone (800) 526.2588
Fax (800) 526.2585

Headquarters/Eastern Distribution Center
44 Harbor Park Drive
Port Washington, NY 11050

Central Distribution Center
1600 Distribution Ct
Lithia Springs, GA 30122

Western Distribution Center
1750 Archibald Avenue
Ontario, CA 91760