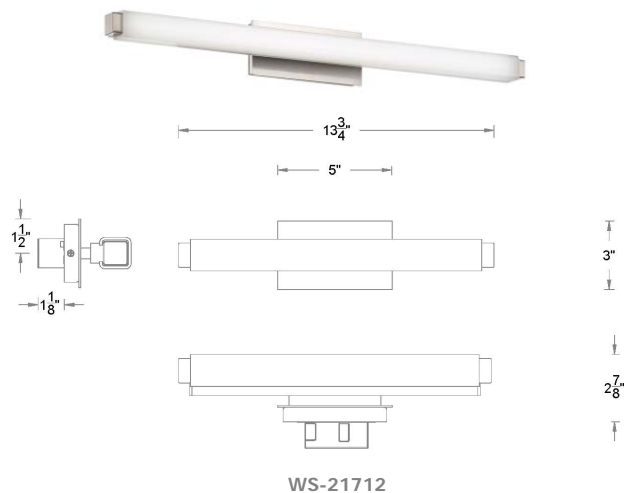


MINI VOGUE Bath & Interior Sconces

WS-21712 / WS-21718 / WS-21724 / WS-21736

MODERN FORMS

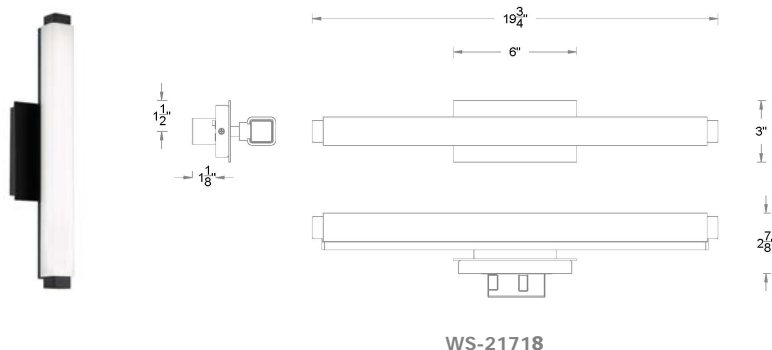


Fixture Type: _____

Catalog Number: _____

Project: _____

Location: _____



PRODUCT DESCRIPTION

This minimalist design adapts to almost any décor scheme, from urban industrial to everyday transitional, with its slim, linear form and versatile finishes—now including black. What else is new? A more compact version for smaller spaces arrives at one foot long, perfect for baths, foyers and hallways. Available in brushed nickel and chrome as well.

FEATURES

- Can be mounted vertically or horizontally
- **Universal driver** (120V-220V-277V) within 2" junction box;
- Optional conversion plate included for 4" junction box
- ADA Compliant
- Color Temperature: 3000K
- Dimmer: ELV
- CRI: 90
- Rated Life: 50,000 hours
- Energy Star® Rated**

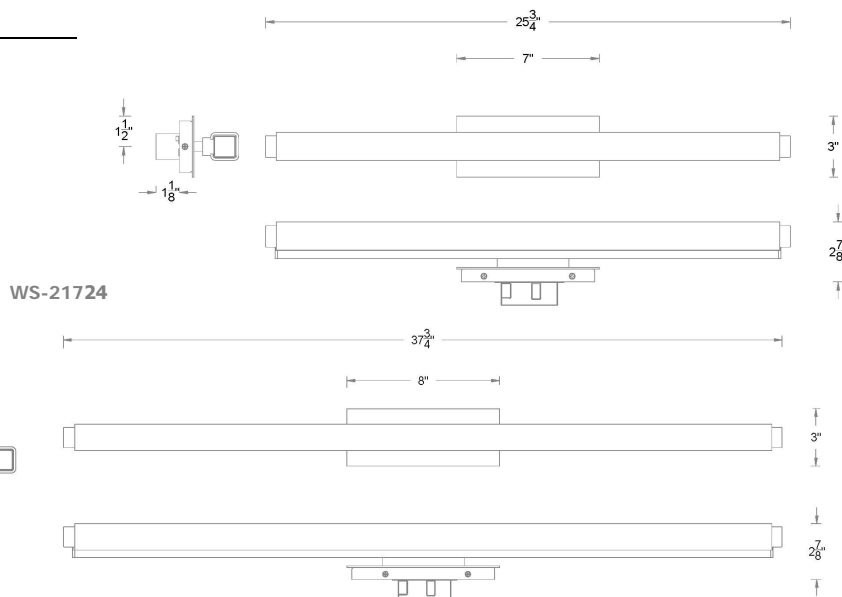
SPECIFICATIONS

Construction: Die-cast aluminum end caps, aluminum back plate, extruded acrylic diffuser

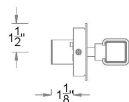
Light Source: High output LED

Finish: Black, Brushed Nickel, Chrome

Standards: ETL & cETL listed, Damp Location listed



WS-21724



WS-21736

ORDER NUMBER

Model	Wattage	Voltage	LED Lumens	Delivered Lumens	Finish
WS-21712	12" 10W		918	784	
WS-21718**	18" 16W	120V-277V	1318	1126	BK Black
WS-21724**	24" 21W		1746	1491	BN Brushed Nickel
WS-21736**	36" 31W		2658	2269	CH Chrome

Example: **WS-21718-BN**

modernforms.com
Phone (866) 810.6615
Fax (800) 526.2585

Headquarters/Eastern Distribution Center
44 Harbor Park Drive
Port Washington, NY 11050

Central Distribution Center
1600 Distribution Ct
Lithia Springs, GA 30122

Western Distribution Center
1750 Archibald Avenue
Ontario, CA 91760