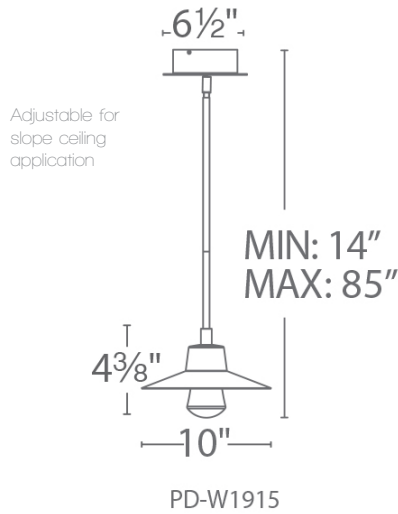


SUSPENSE – model: PD-W19

LED Interior & Exterior Pendants

MODERN FORMS



Fixture Type:

Catalog Number:

Project: _____

Location: _____

PRODUCT DESCRIPTION

Giving the proverbial nod to tradition, it takes a powerful LED to pull off this look in a dark sky design. This contemporary lantern showcases a mouth blown clear glass element and is equipped with state of the art LEDs for a filament-free design.

FEATURES

- Three 12" and one 6" down rods included (additional downrods available)
- Twist lock glass for minimal hardware
- Aluminum construction with a thick, mouth blown clear glass element
- Integral driver in canopy
- Integral swivel for sloped ceilings
- Universal driver (120V-220V-277V)
- Replaceable LED module
- 50,000 hour potential life
- Color Temp: 3000K
- CRI: 90

SPECIFICATIONS

Construction: Aluminum with thick, mouth blow clear glass

Light Source: High output LED

Finish: Brushed Aluminum (AL), Bronze (BZ)

Dimming: ELV 100%-10%; 0-10V 100%-10%

Standards: ETL & cETL wet location listed; IP 65

REPLACEMENT ROD

Part#	Length	Finish
RPL-ROD-OUT12	12"	AL Aluminum
RPL-ROD-OUT06	6"	BZ Bronze
		BK Black

REPLACEMENT GLASS

Part#	Description
RPL-GLA-1911	Glass

ORDER NUMBER

Model	Diameter	Watt	LED Lumens	Delivered Lumens	Finish
PD-W1915	10"	12W	722	677	AL Brushed Aluminum BZ Bronze BK Black

Example: **PD-W1915-AL**

modernforms.com
Phone (800) 526.2588
Fax (800) 526.2585

Headquarters/Eastern Distribution Center
44 Harbor Park Drive
Port Washington, NY 11050

Central Distribution Center
1600 Distribution Ct
Lithia Springs, GA 30122

Western Distribution Center
1750 Archibald Avenue
Ontario, CA 91760