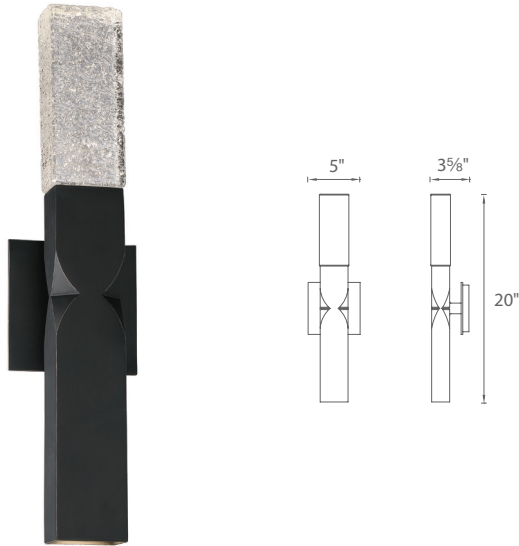


# TORCH – model: WS-W37520

LED Outdoor

MODERN FORMS



Fixture Type:

Catalog Number:

Project: \_\_\_\_\_

Location: \_\_\_\_\_

## PRODUCT DESCRIPTION

Crowned with exquisite Piastra glass hand formed and crafted utilizing a 13th century artisanship technique, Torch illuminates with ambient interest while delivering down lighting for pathways.

## FEATURES

- ADA Compliant, low profile design
- Wet Location listed, IP65 Rated
- Up & down illumination
- Dimming with electronic low voltage (ELV) dimmer
- No transformer or driver required
- 50,000 hour rated life
- Color Temp: 3000K
- CRI: 85

## SPECIFICATIONS

**Construction:** Aluminum with Piastra glass

**Light Source:** High output LED


**Dimming:** ELV 100% - 10%

**Mounting:** Mounts directly to junction box

**Finish:** Oil Rubbed Bronze (ORB)

**Standards:** ETL & cETL listed, ADA Compliant

## ORDER NUMBER

Model	Wattage	Voltage	LED Lumens	Delivered Lumens	Finish
<b>WS-W37520</b>	8W	120V	240	180	<b>ORB</b> Oil Rubbed Bronze 

Example: **WS-W37520**

## REPLACEMENT GLASS

Model	Fixture
<b>RPL-GLA-37520-01</b>	WS-W37520

## Back Plate Dimensions:

Model	Dimension
<b>WS-W37520</b>	4½"L x 4½"W x 5/8"H

modernforms.com  
Phone (800) 526.2588  
Fax (800) 526.2585

Headquarters/Eastern Distribution Center  
44 Harbor Park Drive  
Port Washington, NY 11050

Central Distribution Center  
1600 Distribution Ct  
Lithia Springs, GA 30122

Western Distribution Center  
1750 Archibald Avenue  
Ontario, CA 91760