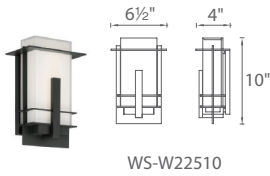


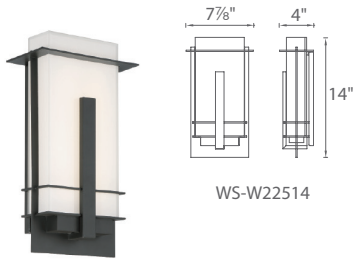
KYOTO – model: WS-W225

LED Exterior Sconce

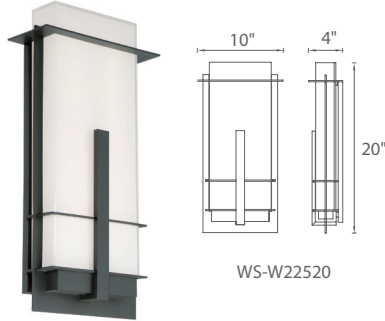
MODERN FORMS



WS-W22510



WS-W22514



WS-W22520

Fixture Type:

Catalog Number:

Project:

Location:

PRODUCT DESCRIPTION

A Shinto inspired architectural design. Miter cut and joined white ceramic-glazed glass provides crisp lines to compliment the hardware.

FEATURES

- ADA Compliant, low profile design
- ETL & cETL Wet Location listed, IP65 Rated
- Mitered glass and aluminum construction
- No transformer or driver required
- 80,000 hour rated life
- Color Temp: 3000K
- CRI: 90

SPECIFICATIONS

Construction: Aluminum and mitered glass

Light Source: High output LED


Finish: Bronze (BZ)

Standards: ETL & cETL Wet Location listed, IP65 Rated, ADA Compliant

REPLACEMENT GLASS

Part#	Fixture
RPL-GLA-22520	WS-W22520
RPL-GLA-22514	WS-W22514
RPL-GLA-22510	WS-W22510

ORDER NUMBER

Model	Height	Wattage	Voltage	LED Lumens	Delivered Lumens	Finish
WS-W22510	10"	10W		616	330	BZ Bronze 
WS-W22514	14"	15.5W	120V	918	465	
WS-W22520	20"	26.5W		1620	840	

Example: **WS-W22520-BZ**

modernforms.com
Phone (800) 526.2588
Fax (800) 526.2585

Headquarters/Eastern Distribution Center
44 Harbor Park Drive
Port Washington, NY 11050

Central Distribution Center
1600 Distribution Ct
Lithia Springs, GA 30122

Western Distribution Center
1750 Archibald Avenue
Ontario, CA 91760