

FM-2009

Project:

Location:

Fixture Type:

Catalog Number:

AVAILABLE FINISHES:



Matrix

FM-2009

PRODUCT DESCRIPTION

There are no glitches in this Matrix—it's flawless in its new black finish, adding a fierce contrast with its thick white glass diffuser, but you can also get it in the original titanium. Crafted in aluminum, Matrix mounts on the wall as well as the ceiling, adding a splash of minimalism to your commercial or residential setting. Engineered for the most powerful, energy-efficient illumination, this design delivers beautiful light time and again.

FEATURES

- ACLED driverless technology
- 277V option available for special order.
- 2700K and 3500K CCT option available for special order.
- Etched pressed glass diffuser with interior ceramic glaze

SPECIFICATIONS

Rated Life	54000 Hours
Standards	ETL, cETL, Damp Location Listed, Title 24 JA8: 2019 Compliant, Energy Star 2.0
Input	120 VAC, 50/60Hz
Dimming	ELV: 100-10%, TRIAC: 100-10%
Mounting	Can be mounted on ceiling or wall in all orientations
Color Temp	3000K
CRI	90
Construction	Steel construction with etched opal glass

REPLACEMENT PARTS

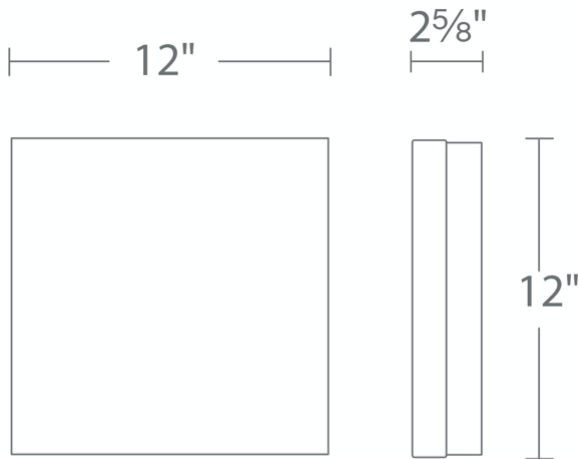
RPL-GLA-4009 - Glass

Model & Size	Color Temp	Finish	LED Watts	LED Lumens	Delivered Lumens
FM-2009 9"	3000K 3000K	BK Black TT Titanium	31W 31W	2765 2765	1511 1511

Example: **FM-2009-30-TT**

- For 277V special order, add an "F" before the finish: FM-2009F-30-TT
- For '3500K' add "-35"; '2700K' add "-27" before the finish: FM-2009-27-BK

For custom requests please contact customs@modernforms.com



FM-2012

Project:

Location:

Fixture Type:

Catalog Number:

AVAILABLE FINISHES:



Matrix

FM-2012

PRODUCT DESCRIPTION

There are no glitches in this Matrix—it's flawless in its new black finish, adding a fierce contrast with its thick white glass diffuser, but you can also get it in the original titanium. Crafted in aluminum, Matrix mounts on the wall as well as the ceiling, adding a splash of minimalism to your commercial or residential setting. Engineered for the most powerful, energy-efficient illumination, this design delivers beautiful light time and again.

FEATURES

- ACLED driverless technology
- 277V option available for special order.
- 2700K and 3500K CCT option available for special order.
- Etched pressed glass diffuser with interior ceramic glaze

SPECIFICATIONS

Rated Life	54000 Hours
Standards	ETL, cETL, Damp Location Listed, Title 24 JA8: 2019 Compliant, Energy Star 2.0
Input	120 VAC, 50/60Hz
Dimming	ELV: 100-10%, TRIAC: 100-10%
Mounting	Can be mounted on ceiling or wall in all orientations
Color Temp	3000K
CRI	90
Construction	Steel construction with etched opal glass

REPLACEMENT PARTS

RPL-GLA-4012 - Glass

Model & Size	Color Temp	Finish	LED Watts	LED Lumens	Delivered Lumens
FM-2012 12"	3000K 3000K	BK Black TT Titanium	27W 26W	2555 2555	1015 1015

Example: **FM-2012-30-TT**

- For 277V special order, add an "F" before the finish: FM-2012F-30-TT
- For '3500K' add "-35"; '2700K' add "-27" before the finish: FM-2012-27-BK

For custom requests please contact customs@modernforms.com