



Project: \_\_\_\_\_

Location: \_\_\_\_\_

Fixture Type: \_\_\_\_\_

Catalog Number: \_\_\_\_\_

**AVAILABLE FINISHES:**



# Magic

PD-35601

**PRODUCT DESCRIPTION**

Crafted from Piastra crystal, an artisanal technique that dates all the way back to the 13th century, these crystalline staves project gorgeous LED illumination from all sides for adazzling presentation of light. Whether you choose a simple pendant or design an entire space with coordinating chandeliers and sconces, these sparkling designs will make you believe in Magic. Ideal for large residential, hospitality and commercial applications.

**FEATURES**

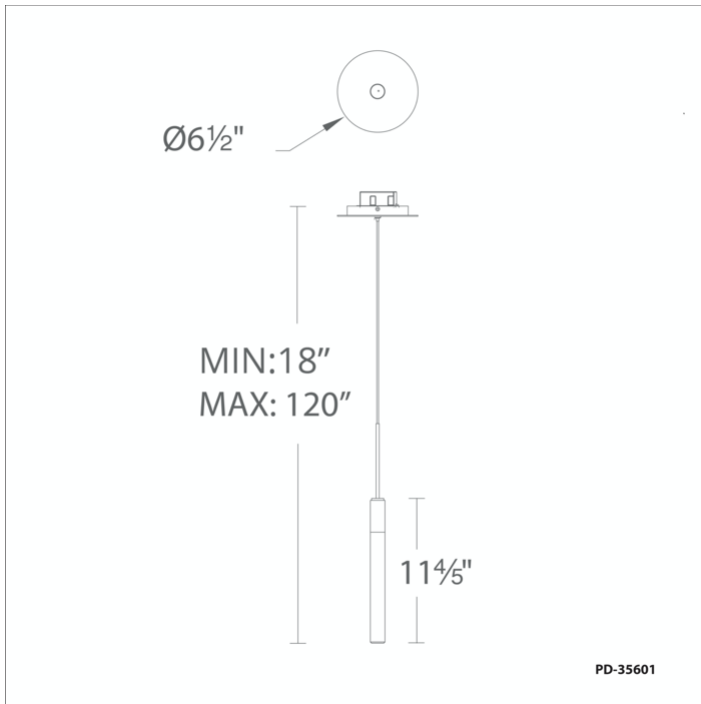
- Driver installed within the Junction Box, driver dimension: 2.8" x 1.3" x 1.2"
- Cylindrical Piastra crystal shades
- Thin powered aircraft cables provide an ultra clean look for adjustable suspension height

**SPECIFICATIONS**

Rated Life	50000 Hours
Standards	ETL, cETL,Damp Location Listed
Input	120-277V,50/60Hz
Driver Dimension	2.8" x 1.3" x 1.2"
Dimming	ELV
Color Temp	3000K
CRI	90
Construction	Aluminum body with Crystalized Piastra art glass.

**REPLACEMENT PARTS**

RPL-GLA-12620 - Glass



Model & Size	Color Temp	Finish	LED Watts	LED Lumens	Delivered Lumens
PD-35601 12"	3000K 3000K	BK Black PN Polished Nickel	5.8W 5.8W	224 224	206 206

Example: **PD-35601-PN**

For custom requests please contact [customs@modernforms.com](mailto:customs@modernforms.com)