

Project: _____

Location: _____

Fixture Type: _____

Catalog Number: _____

AVAILABLE FINISHES:



Memory

PD-56822

PRODUCT DESCRIPTION

Using an intricate welding process, artisans smooth out the transitional seams of this Bauhaus-inspired design, giving it a clean look overall, then coating it with an enduring black finish. Behind the steel bars, sleek opalescent rectangles are illuminated by edge-lit LED modules carefully positioned to give the appearance of floating within, creating an unforgettable stark contrast of black and white.

FEATURES

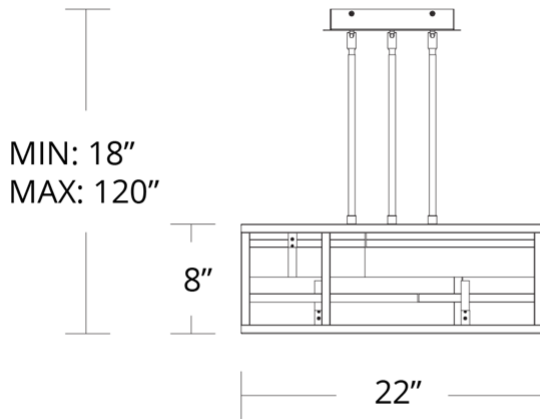
- Driver concealed within the canopy
- Intricate welding for rectangular accents
- Edge-lit LED optic panels spread light evenly
- Slope ceiling adaptable. Hang straight swivels up to 90 degrees

SPECIFICATIONS

Rated Life	54000 Hours
Standards	ETL, cETL, Damp Location Listed, 2019 Compliant
Input	120-277V, 50/60Hz
Dimming	ELV, 0-10V, TRIAC
Color Temp	3000K
CRI	90
Construction	Extruded steel hardware, intricate welding for rectangular accents

REPLACEMENT PARTS

- RPL-ROD-IN06-BK - 6" Rod
- RPL-ROD-IN12-BK - 12" Rod



PD-56822

Model & Size	Color Temp	Finish	LED Watts	LED Lumens	Delivered Lumens
PD-56822 22"	3000K	BK Black	78.3W	3111	2706

Example: **PD-56822-BK**

For custom requests please contact customs@modernforms.com