



Project: _____

Location: _____

Fixture Type: _____

Catalog Number: _____

AVAILABLE FINISHES:



Labyrinth

PD-73926

PRODUCT DESCRIPTION

An architectural and elegant aesthetic in a two tone black chassis with aged brass accents. Sleek acrylic cylinders deploy illumination among this erector set inspired luminaire. Astunning mix of industrial design, geometry and illuminance that will create a bold statement in foyers, lobbies and conference rooms.

FEATURES

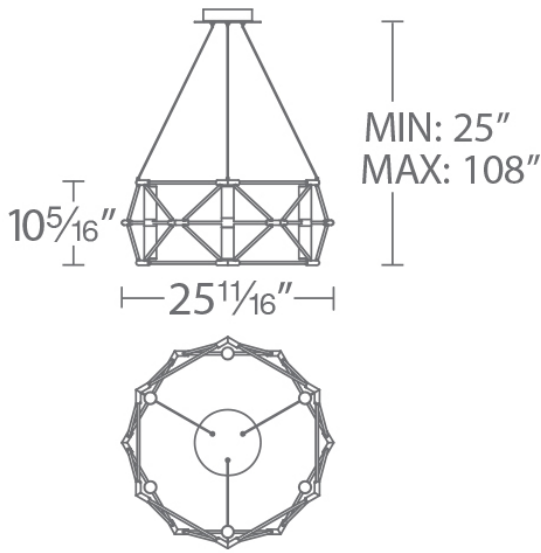
- Driver concealed within the canopy
- Sanded acrylic diffuser

SPECIFICATIONS

Rated Life	50000 Hours
Standards	ETL, cETL,Damp Location Listed
Input	120-277V,50/60Hz
Dimming	ELV, 0-10V, TRIAC
Color Temp	3000K
CRI	90
Construction	Aluminum hardware, Sanded acrylic cylinder

REPLACEMENT PARTS

RPL-GLA-73926 - Outer Acrylic Shade



PD-73926

Model & Size	Color Temp	Finish	LED Watts	LED Lumens	Delivered Lumens
PD-73926 26"	3000K	BK/AB Black & Aged Brass	30W	1318	1269

Example: **PD-73926-BK/AB**

For custom requests please contact customs@modernforms.com



Project: _____

Location: _____

Fixture Type: _____

Catalog Number: _____

AVAILABLE FINISHES:



Labyrinth

PD-73932

PRODUCT DESCRIPTION

An architectural and elegant aesthetic in a two tone black chassis with aged brass accents. Sleek acrylic cylinders deploy illumination among this erector set inspired luminaire. Astunning mix of industrial design, geometry and illuminance that will create a bold statement in foyers, lobbies and conference rooms.

FEATURES

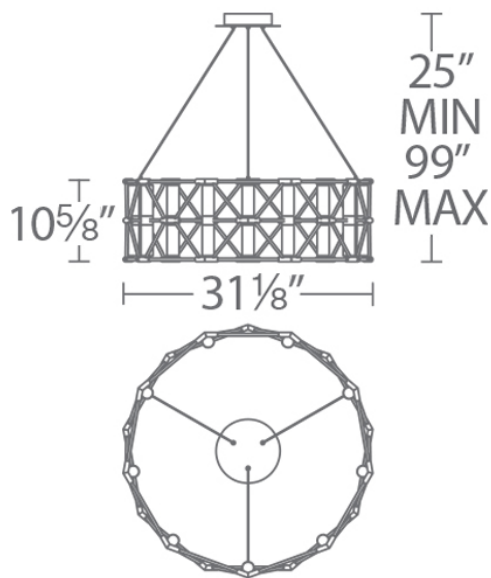
- Driver concealed within the canopy
- Sanded acrylic diffuser

SPECIFICATIONS

Rated Life	50000 Hours
Standards	ETL, cETL,Damp Location Listed
Input	120-277V,50/60Hz
Dimming	ELV, 0-10V, TRIAC
Color Temp	3000K
CRI	90
Construction	Aluminum hardware, Sanded acrylic cylinder

REPLACEMENT PARTS

RPL-GLA-73926 - Outer Acrylic Shade



PD-73932

Model & Size	Color Temp	Finish	LED Watts	LED Lumens	Delivered Lumens
PD-73932 32"	3000K	BK/AB Black & Aged Brass	48W	2013	1836

Example: **PD-73932-BK/AB**

For custom requests please contact customs@modernforms.com