



Project:

Location:

Fixture Type:

Catalog Number:

**AVAILABLE FINISHES:**



## Groovy

PD-89924

**PRODUCT DESCRIPTION**

Nostalgic, throwback paying homage to the sixties. Wrapped in double layer acoustic felt in two-tone finish combinations. A fun and funky addition to chic restaurants and trendylounges with open space designs. Groovy brings an upscale downtown vibe to any space while reducing echo and noise pollution from crowds.

**FEATURES**

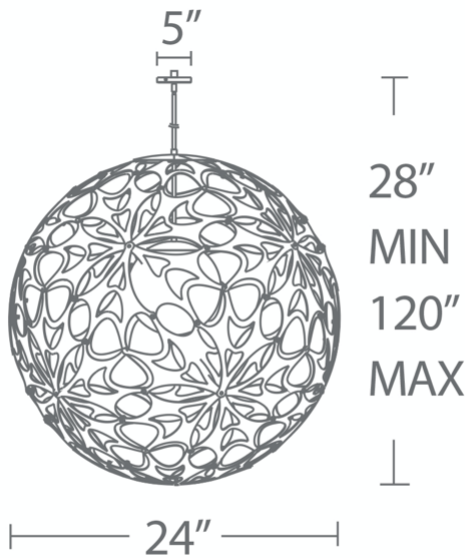
- Driver installed within the Junction Box, driver dimension: 2.8" x 1.3" x 1.2"
- Mouth-blown etched opal glass
- Acoustic double sided layered felt
- Slope ceiling adaptable. Hang straight swivels up to 90 degrees
- Hardware options available in aged brass, brushed nickel, and white

**SPECIFICATIONS**

Rated Life	70000 Hours
Standards	ETL, cETL, Dry Location Listed
Input	120-277V, 50/60Hz
Driver Dimension	2.8" x 1.3" x 1.2"
Dimming	ELV, 0-10V, TRIAC
Color Temp	3000K
CRI	90
Construction	Acoustic felt, Aluminum hardware, Opal glass

**REPLACEMENT PARTS**

- RPL-ROD-IN06-BB - 6" Rod - AB finish
- RPL-ROD-IN06-BN - 6" Rod - BN finish
- RPL-ROD-IN06-WT - 6" Rod - WT finish
- RPL-GLA-52307 - Etched Opal Glass
- RPL-ROD-IN12-BB - 12" Rod - AB finish
- RPL-ROD-IN12-BN - 12" Rod - BN finish
- RPL-ROD-IN12-WT - 12" Rod - WT finish

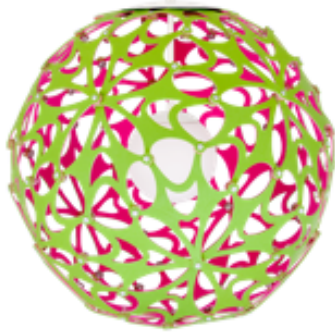


PD-89924

Model & Size	Color Temp	Finish	LED Watts	LED Lumens	Delivered Lumens
PD-89924 24"	3000K	BK/GO-AB	9.7W	777	448
	3000K	BK/GO-BN	9.7W	777	448
	3000K	Nickel	9.7W	777	448
	3000K	BK/GO-WT	9.7W	777	448
	3000K	CM/BL-AB	9.7W	777	448
	3000K	CM/BL-BN	9.7W	777	448
	3000K	Nickel	9.7W	777	448
	3000K	CM/BL-WT	9.7W	777	448
	3000K	GN/PK-AB	9.7W	777	448
	3000K	GN/PK-BN	9.7W	777	448
		Nickel			
		GN/PK-WT	Green/Pink & White		

Example: **PD-89924-GN/PK-WT**

For custom requests please contact [customs@modernforms.com](mailto:customs@modernforms.com)



Project:

Location:

Fixture Type:

Catalog Number:

**AVAILABLE FINISHES:**



# Groovy

PD-89936

**PRODUCT DESCRIPTION**

Nostalgic, throwback paying homage to the sixties. Wrapped in double layer acoustic felt in two-tone finish combinations. A fun and funky addition to chic restaurants and trending lounges with open space designs. Groovy brings an upscale downtown vibe to any space while reducing echo and noise pollution from crowds.

**FEATURES**

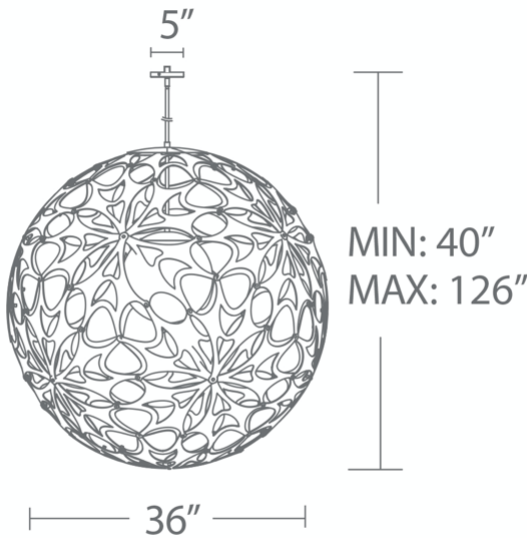
- Driver installed within the Junction Box, driver dimension: 2.8" x 1.3" x 1.2"
- Mouth-blown etched opal glass
- Acoustic double sided layered felt
- Slope ceiling adaptable. Hang straight swivels up to 90 degrees
- Hardware options available in aged brass, brushed nickel, and white

**SPECIFICATIONS**

Rated Life	70000 Hours
Standards	ETL, cETL, Dry Location Listed
Input	120-277V, 50/60Hz
Driver Dimension	2.8" x 1.3" x 1.2"
Dimming	ELV, 0-10V, TRIAC
Color Temp	3000K
CRI	90
Construction	Acoustic felt, Aluminum hardware, Opal glass

**REPLACEMENT PARTS**

- RPL-ROD-IN06-BB - 6" Rod - AB finish
- RPL-ROD-IN06-BN - 6" Rod - BN finish
- RPL-ROD-IN06-WT - 6" Rod - WT finish
- RPL-GLA-52310 - Etched Opal Glass
- RPL-ROD-IN12-BB - 12" Rod - AB finish
- RPL-ROD-IN12-BN - 12" Rod - BN finish
- RPL-ROD-IN12-WT - 12" Rod - WT finish



PD-89936

Model & Size	Color Temp	Finish	LED Watts	LED Lumens	Delivered Lumens	
PD-89936 36"	3000K	BK/GO-AB	13.7W	906	542	
	3000K	BK/GO-BN	13.7W	906	542	
	3000K	Nickel	13.7W	906	542	
	3000K	BK/GO-WT	13.7W	906	542	
	3000K	CM/BL-AB	13.7W	906	542	
	3000K	CM/BL-BN	13.7W	906	542	
	3000K	Nickel	13.7W	906	542	
	3000K	CM/BL-WT	13.7W	906	542	
	3000K	GN/PK-AB	13.7W	906	542	
	3000K	GN/PK-BN	13.7W	906	542	
		Nickel				
		GN/PK-WT	Green/Pink & White			

Example: **PD-89936-GN/PK-WT**

For custom requests please contact [customs@modernforms.com](mailto:customs@modernforms.com)