



Project:

Location:

Fixture Type:

Catalog Number:

AVAILABLE FINISHES:



Punk

PD-24610

PRODUCT DESCRIPTION

Half mouth-blown etched opal glass, 100% cutting-edge, the Punk pendant brings spherical flourish to modern décor with outstanding light output, customizable length and a glimmering finish.

FEATURES

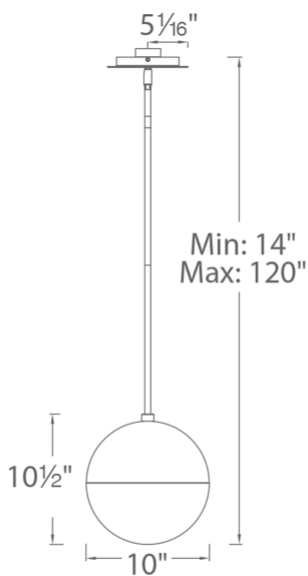
- 2700K and 3500K CCT option available for special order.
- Driver installed within the Junction Box, driver dimension: 2.8" x 1.3" x 1.2"
- Mouth-blown etched opal glass diffuser
- Slope ceiling adaptable. Hang straight swivels up to 90 degrees
- Three 12" and one 6" down rods included (additional sold separately)

SPECIFICATIONS

Rated Life	50000 Hours
Standards	ETL, cETL, Damp Location Listed
Input	120-277V, 50/60Hz
Driver Dimension	2.8" x 1.3" x 1.2"
Dimming	ELV
Color Temp	3000K
CRI	90
Construction	Aluminum and opal glass

REPLACEMENT PARTS

- RPL-GLA-24610 - Glass
- RPL-ROD-IN06-BK-01 -
- RPL-ROD-IN06-NI -
- RPL-ROD-IN12-BK-01 -
- RPL-ROD-IN12-NI -



PD-24610

Model & Size	Color Temp	Finish	LED Watts	LED Lumens	Delivered Lumens
PD-24610 10"	3000K 3000K	BK Black PN Polished Nickel	18W 18W	1452 1452	758 758

Example: **PD-24610-PN**

•For '3500K' add "-35"; '2700K' add "-27" before the finish: PD-24610-27-BK

For custom requests please contact customs@modernforms.com



Project:

Location:

Fixture Type:

Catalog Number:

AVAILABLE FINISHES:



Punk

PD-24614

PRODUCT DESCRIPTION

Half mouth-blown etched opal glass, 100% cutting-edge, the Punk pendant brings spherical flourish to modern décor with outstanding light output, customizable length and a glimmering finish.

FEATURES

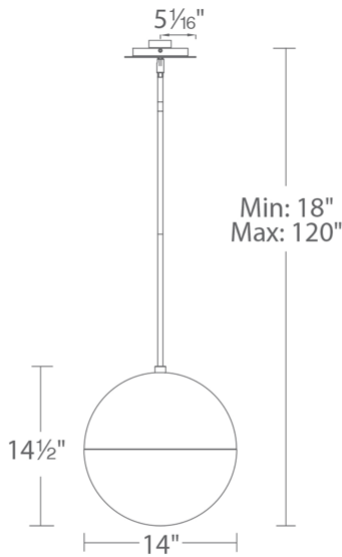
- 2700K and 3500K CCT option available for special order.
- Driver installed within the Junction Box, driver dimension: 2.8" x 1.3" x 1.2"
- Mouth-blown etched opal glass diffuser
- Slope ceiling adaptable. Hang straight swivels up to 90 degrees
- Three 12" and one 6" down rods included (additional sold separately)

SPECIFICATIONS

Rated Life	50000 Hours
Standards	ETL, cETL, Damp Location Listed
Input	120-277V, 50/60Hz
Driver Dimension	2.8" x 1.3" x 1.2"
Dimming	ELV
Color Temp	3000K
CRI	90
Construction	Aluminum and opal glass

REPLACEMENT PARTS

- RPL-GLA-24614 - Glass
- RPL-ROD-IN06-BK-01 -
- RPL-ROD-IN06-NI -
- RPL-ROD-IN12-BK-01 -
- RPL-ROD-IN12-NI -



PD-24614

Model & Size	Color Temp	Finish	LED Watts	LED Lumens	Delivered Lumens
PD-24614 14"	3000K 3000K	BK Black PN Polished Nickel	30W 30W	2527 2527	1563 1563

Example: **PD-24614-PN**

•For '3500K' add "-35"; '2700K' add "-27" before the finish: PD-24614-27-BK

For custom requests please contact customs@modernforms.com