



Project: \_\_\_\_\_

Location: \_\_\_\_\_

Fixture Type: \_\_\_\_\_

Catalog Number: \_\_\_\_\_

**AVAILABLE FINISHES:**



# Atlantis

PD-39947

**PRODUCT DESCRIPTION**

The rhythm of moonlight on the sea is captured within the molded glass lens floating inside the frame. Integral LEDs backlight the glass for a stunning luminous effect, like reflections of moonlight on waves.

**FEATURES**

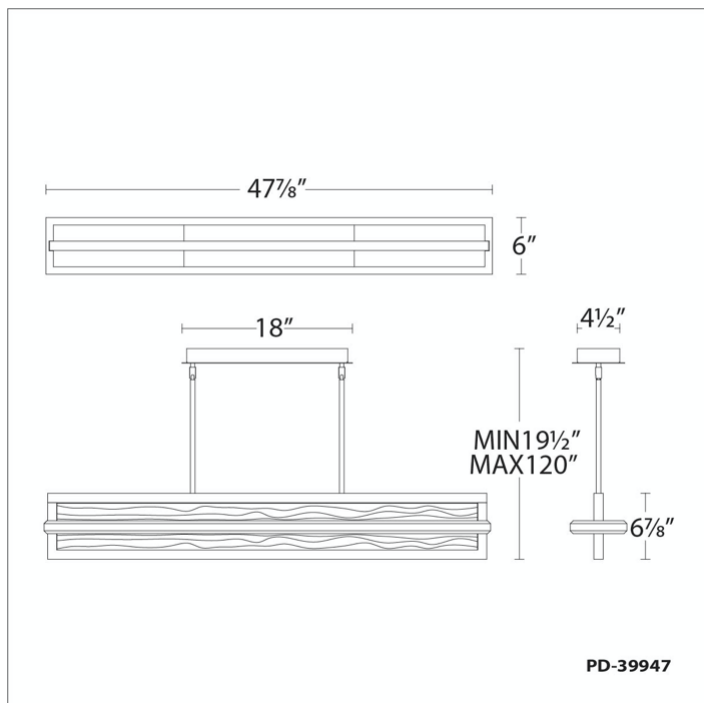
- Driver concealed within the canopy
- Cast art glass
- Six 12" and two 6" down rods included (additional sold separately)
- Slope ceiling adaptable. Hang straight swivels up to 90 degrees

**SPECIFICATIONS**

Rated Life	50000 Hours
Standards	ETL, cETL,Damp Location Listed,2019Compliant
Input	120-277V,50/60Hz
Dimming	ELV, 0-10V, TRIAC
Color Temp	3000K
CRI	90
Construction	Steel hardware, cast art glass

**REPLACEMENT PARTS**

- RPL-GLA-39947 - Glass
- RPL-ROD-IN06-AN - 6" Rod
- RPL-ROD-IN12-AN - 12" Rod



Model & Size	Color Temp	Finish	LED Watts	LED Lumens	Delivered Lumens
PD-39947 47"	3000K	AN Antique Nickel	43.2W	3500	1177

Example: **PD-39947-AN**

For custom requests please contact [customs@modernforms.com](mailto:customs@modernforms.com)