



Project:

Location:

Fixture Type:

Catalog Number:

AVAILABLE FINISHES:



Logo

FM-4407

PRODUCT DESCRIPTION

The ever versatile Logo works across a wide range of small and medium-sized spaces and spreads light evenly through edge-lit technology- that means no glare, no hot spots, only pure and perfect light.

FEATURES

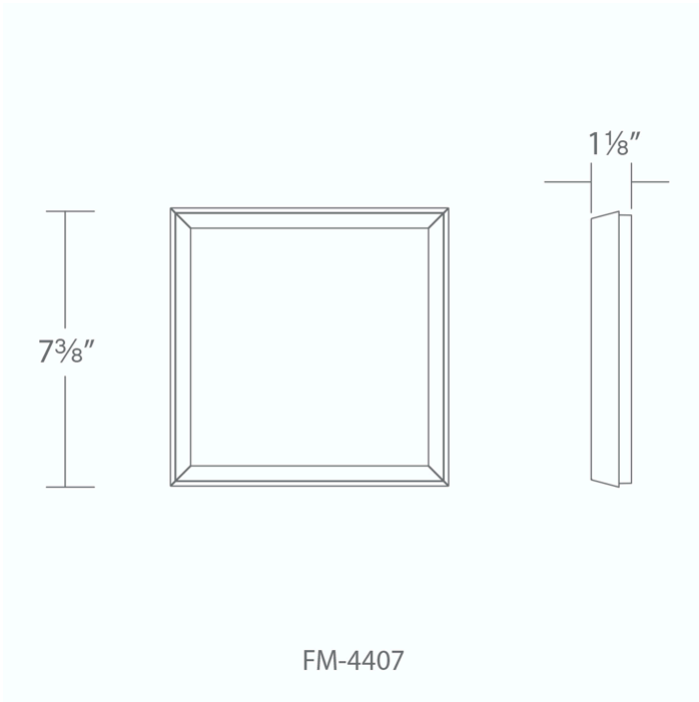
- Driver installed within the Junction Box, driver dimension: 2.3" dia. x .8"
- 1" profile, edge-lit illumination
- Can be surface-mounted over a 3", 4" or 3/0-4/0 hybrid electrical box
- The integrated universal voltage driver (120V-220V-277V) is inside of fixture

SPECIFICATIONS

Rated Life	59000 Hours
Standards	ETL, cETL, Damp Location Listed, Title 24 JA8: 2019 Compliant, Energy Star 2.0
Input	120-277V, 120-277v, 50/60Hz
Driver Dimension	2.3" Dia. x .8"
Dimming	ELV: 100-10%, TRIAC: 100-5%
Mounting	Can be mounted on ceiling or wall in all orientations
Color Temp	3000K
CRI	90
Construction	Aluminum hardware, acrylic diffuser

REPLACEMENT PARTS

HDW-LX20-WA - Hardware Pack



FM-4407

Model & Size	Color Temp	Finish	LED Watts	LED Lumens	Delivered Lumens
FM-4407 7"	3000K 3000K	BN Brushed Nickel WT White	15W 15W	1200 1200	1087 1087

Example: **FM-4407-WT**

For custom requests please contact customs@modernforms.com



Project: _____

Location: _____

Fixture Type: _____

Catalog Number: _____

AVAILABLE FINISHES:



Logo

FM-4411

PRODUCT DESCRIPTION

The ever versatile Logo works across a wide range of small and medium-sized spaces and spreads light evenly through edge-lit technology- that means no glare, no hot spots, only pure and perfect light.

FEATURES

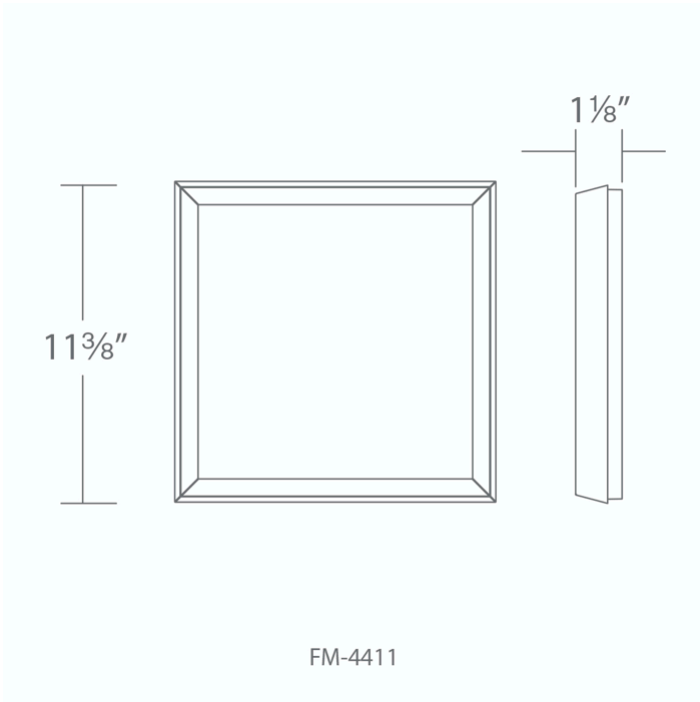
- Driver installed within the Junction Box, driver dimension: 2.3" dia. x .8"
- 1" profile, edge-lit illumination
- Can be surface-mounted over a 3", 4" or 3/0-4/0 hybrid electrical box
- The integrated universal voltage driver (120V-220V-277V) is inside of fixture

SPECIFICATIONS

Rated Life	59000 Hours
Standards	ETL, cETL, Damp Location Listed, Title 24 JA8: 2019 Compliant, Energy Star 2.0
Input	120-277V, 50/60Hz
Driver Dimension	2.3" Dia. x .8"
Dimming	ELV: 100-10%, TRIAC: 100-5%
Mounting	Can be mounted on ceiling or wall in all orientations
Color Temp	3000K
CRI	90
Construction	Aluminum hardware, acrylic diffuser

REPLACEMENT PARTS

HDW-LX20-WA - Hardware Pack



Model & Size	Color Temp	Finish	LED Watts	LED Lumens	Delivered Lumens
FM-4411 11"	3000K 3000K	BN Brushed Nickel WT White	20W 20W	1700 1700	1500 1500

Example: **FM-4411-WT**

For custom requests please contact customs@modernforms.com