



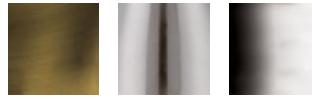
Project:

Location:

Fixture Type:

Catalog Number:

AVAILABLE FINISHES:



Muse

WS-12118

PRODUCT DESCRIPTION

An elegant contrast of materials, from the ebony-stained tapered wooden post to the expertly mitered glass and polished nickel hardware, Muse sings all the bright notes. Unparalleled proprietary LEDs bring lost-lasting, energy-efficient illumination for exceptional light in residential and commercial applications.

FEATURES

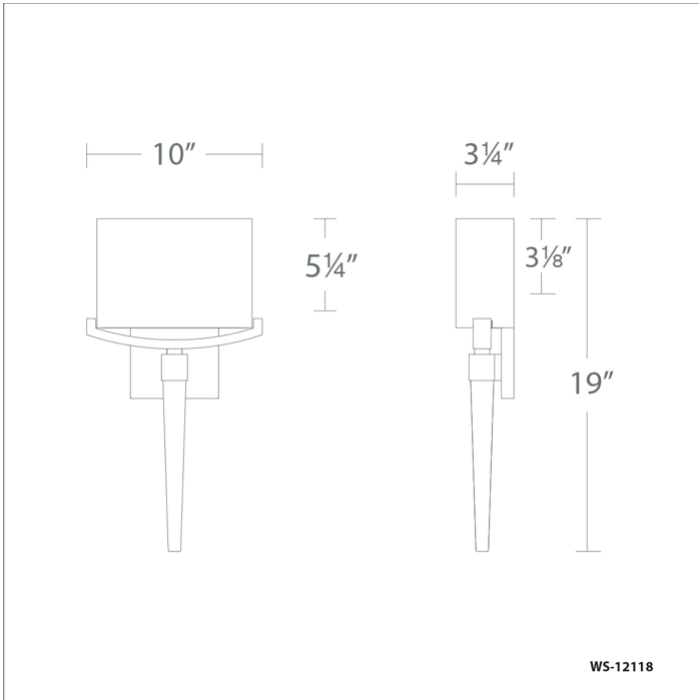
- 277V option available for special order.
- ACLED driverless technology
- Ebony-stained wooden arm
- White ceramic silk-screened mitered glass

SPECIFICATIONS

Rated Life	50000 Hours
Standards	ETL, cETL, Damp Location Listed, Title 24 JA8: 2019 Compliant
Input	120 VAC, 50/60Hz
Dimming	ELV
Color Temp	3000K
CRI	90
Construction	Ebony stained wooden arm and mitered glass

REPLACEMENT PARTS

RPL-SHA-12118-01 - Diffuser



Model & Size	Color Temp	Finish	LED Watts	LED Lumens	Delivered Lumens
WS-12118 19"	3000K	AB Aged Brass	21.1W	1681	1214
	3000K	BN Brushed Nickel	16.5W	1302	920
	3000K	PN Polished Nickel	16.5W	1302	920

Example: **WS-12118-PN**

•For 277V special order, add an "F" before the finish: WS-12118F-AB

For custom requests please contact customs@modernforms.com