



Project: \_\_\_\_\_

Location: \_\_\_\_\_

Fixture Type: \_\_\_\_\_

Catalog Number: \_\_\_\_\_

**AVAILABLE FINISHES:**



# Forbes

WS-63027

**PRODUCT DESCRIPTION**

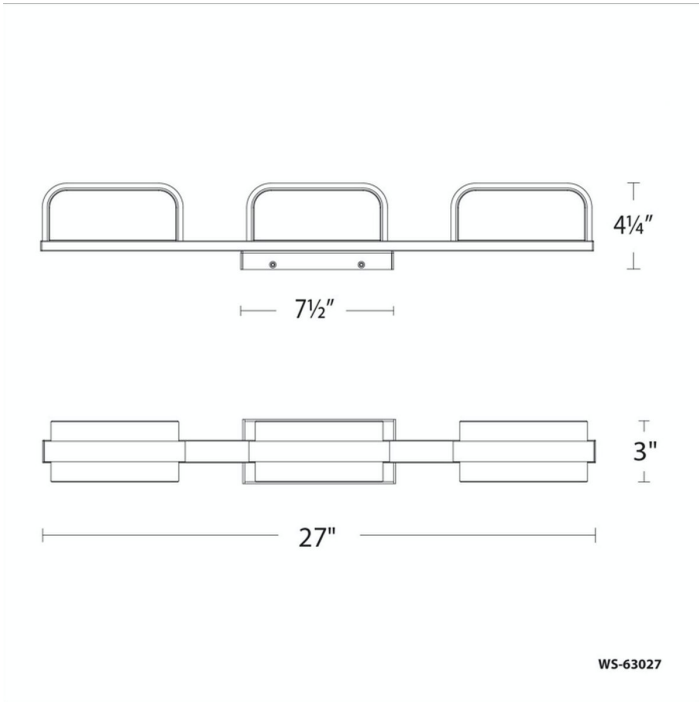
These handcrafted artisanal shades steal the show on this exquisite vanity. A state of the art design that looks stunning. The unique shades capture and refract the light such that the visual effect is nothing short of staggering.

**FEATURES**

- Driver concealed within the canopy
- Reclaimed K5 crystal
- Up and downlight illumination

**SPECIFICATIONS**

Rated Life	50,000 Hours
Standards	ETL, cETL, Damp Location Listed, Title 24 JA8: 2019 Compliant
Input	120-277 VAC, 50/60Hz
Dimming	ELV, 0-10V, TRIAC
Mounting	Can be mounted on wall vertically or upside down
Color Temp	3000K
CRI	90
Construction	Aluminum body with K5 crystal fused acrylic



Model & Size	Color Temp	Finish	LED Watts	LED Lumens	Delivered Lumens
WS-63027 27"	3000K	PN Polished Nickel	19.5W	1774	1268

Example: **WS-63027-PN**

For custom requests please contact [customs@modernforms.com](mailto:customs@modernforms.com)



Project:

Location:

Fixture Type:

Catalog Number:

**AVAILABLE FINISHES:**



# Forbes

WS-63037

**PRODUCT DESCRIPTION**

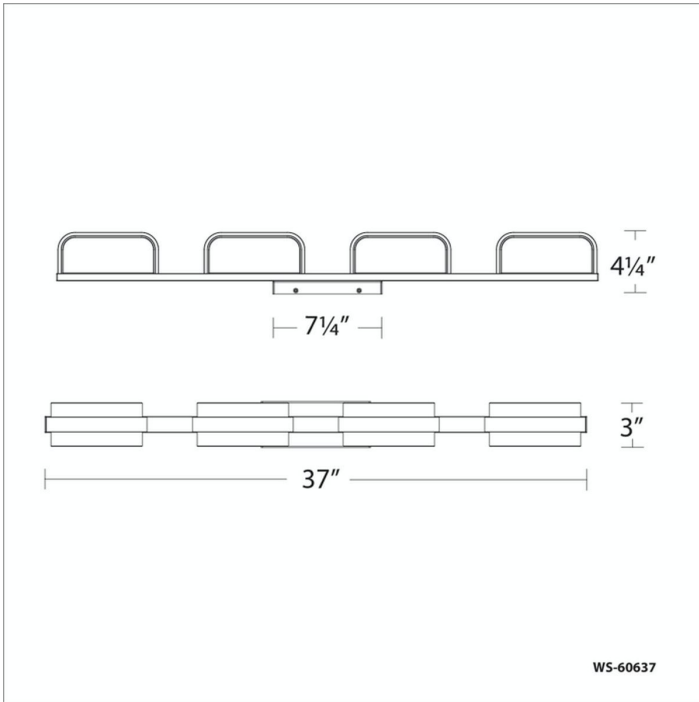
These handcrafted artisanal shades steal the show on this exquisite vanity. A state of the art design that looks stunning. The unique shades capture and refract the light such that the visual effect is nothing short of staggering.

**FEATURES**

- Driver concealed within the canopy
- Reclaimed K5 crystal
- Up and downlight illumination

**SPECIFICATIONS**

Rated Life	50,000 Hours
Standards	ETL, cETL, Damp Location Listed, Title 24 JA8: 2019 Compliant
Input	120-277 VAC, 50/60Hz
Dimming	ELV, 0-10V, TRIAC
Mounting	Can be mounted on wall vertically or upside down
Color Temp	3000K
CRI	90
Construction	Aluminum body with K5 crystal fused acrylic



Model & Size	Color Temp	Finish	LED Watts	LED Lumens	Delivered Lumens
WS-63037 37"	3000K	PN Polished Nickel	26.8W	2304	1809

Example: **WS-63037-PN**

For custom requests please contact [customs@modernforms.com](mailto:customs@modernforms.com)