



Project:

Location:

Fixture Type:

Catalog Number:

**AVAILABLE FINISHES:**



# Fury

WS-66016

**PRODUCT DESCRIPTION**

An elegant triptych combining energy efficiency with lustrous metal finishes and gold encased art glass panes. Soft and even illumination from an innovative design only made possible with the latest in LED technology.

**FEATURES**

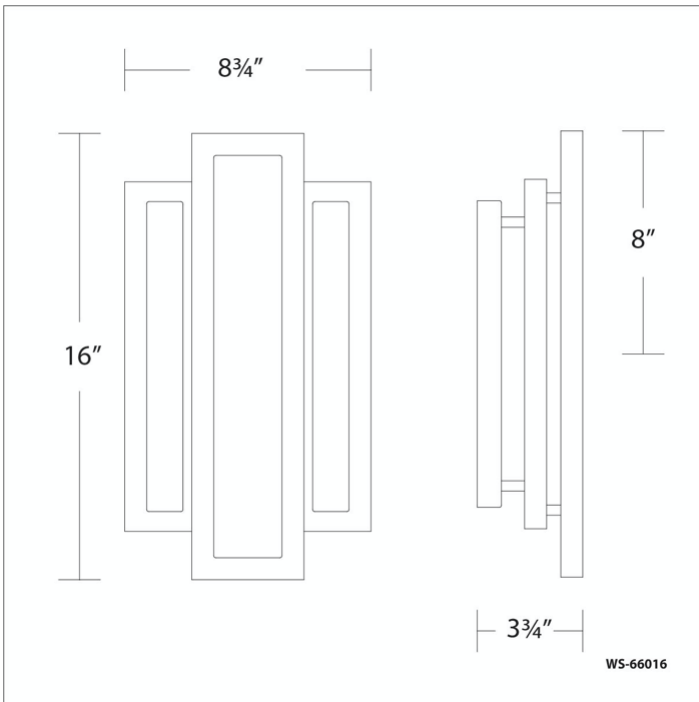
- Driver concealed within the canopy
- Handmade from recycled glass
- Molded gold and clear glass shards

**SPECIFICATIONS**

Rated Life	50000 Hours
Standards	ETL, cETL, Damp Location Listed
Input	120-277V, 50/60Hz
Dimming	ELV, 0-10V, TRIAC
Mounting	Can be mounted on wall in all orientations
Color Temp	3000K
CRI	90
Construction	Aluminum body with glass diffuser

**REPLACEMENT PARTS**

- RPL-GLA-66016-S - Small Replacement Glass
- RPL-GLA-66016-L - Large Replacement Glass



Model & Size	Color Temp	Finish	LED Watts	LED Lumens	Delivered Lumens
WS-66016 16"	3000K	AB Aged Brass	22.7W	709	344

Example: **WS-66016-AB**

For custom requests please contact [customs@modernforms.com](mailto:customs@modernforms.com)