



Project:

Location:

Fixture Type:

Catalog Number:

**AVAILABLE FINISHES:**



# Oracle

WS-69009

**PRODUCT DESCRIPTION**

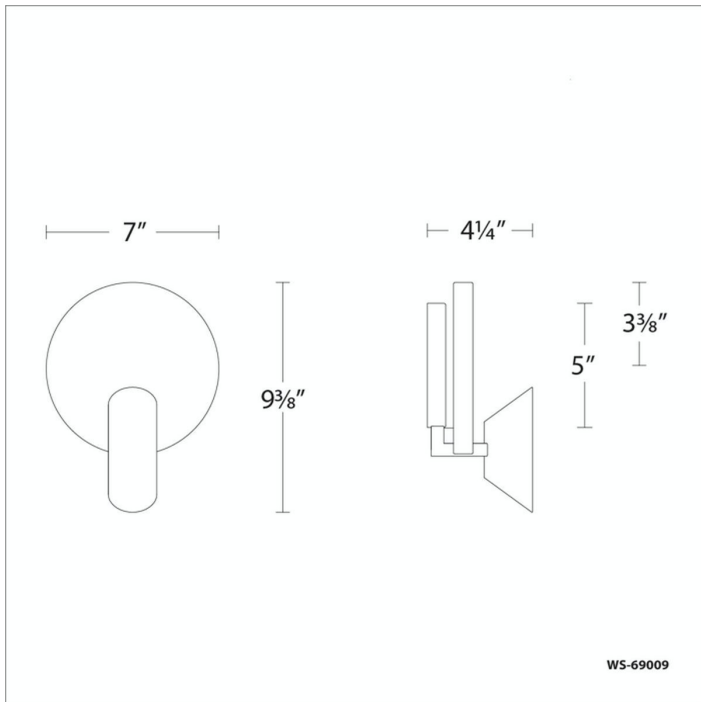
Dazzling in design, Oracle features a specialized handmade technique to encase reclaimed optical crystal. The crackling scone is indirectly illuminated from a seamless cylinder inplated finish. A dramatic appearance to complement luxury interiors.

**FEATURES**

- ACLED driverless technology
- Reclaimed K5 crystal
- Light is evenly diffused

**SPECIFICATIONS**

Rated Life	54000 Hours
Standards	ETL, cETL,Damp Location Listed,Title 24 JA8: 2019 Compliant
Input	120 VAC,50/60Hz
Dimming	ELV: 100-10%,TRIAC: 100-10%
Mounting	Can be mounted on wall vertically or upside down
Color Temp	3000K
CRI	90
Construction	Aluminum body with K5 crystal fused acrylic



Model & Size	Color Temp	Finish	LED Watts	LED Lumens	Delivered Lumens
WS-69009 9"	3000K 3000K	AB Aged Brass AN Antique Nickel	10.9W 10.9W	521 521	432 432

Example: **WS-69009-AN**

For custom requests please contact [customs@modernforms.com](mailto:customs@modernforms.com)