



Project:

Location:

Fixture Type:

Catalog Number:

AVAILABLE FINISHES:



Berkeley

WS-W21516

PRODUCT DESCRIPTION

An iron bar runs down the center of this refined outdoor sconce, and features a little twist at the waist—a modest detail that references the substance and nostalgia of iron-forging. Meanwhile, powerful LEDs inside broadcast exceptional quality light without expending very much energy. It's an enduring look with the technology to match.

FEATURES

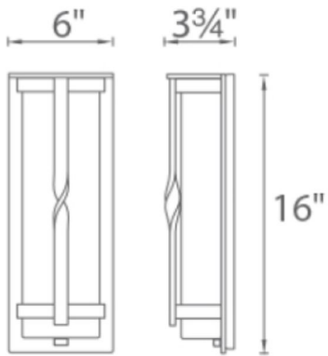
- ACLED driverless technology
- Etched opal glass

SPECIFICATIONS

Rated Life	80000 Hours
Standards	ETL, cETL, Wet Location Listed, IP65
Input	120 VAC, 50/60Hz
Dimming	ELV
Color Temp	3000K
CRI	90
Construction	Aluminum construction with etched opal glass, Solid Aluminum

REPLACEMENT PARTS

RPL-GLA-21516 - Glass



WS-W21516

Model & Size	Color Temp	Finish	LED Watts	LED Lumens	Delivered Lumens
WS-W21516 16"	3000K	BK Black	19.5W	1062	555
	3000K	BZ Bronze	19.5W	1062	555

Example: **WS-W21516-BZ**

For custom requests please contact customs@modernforms.com



Project: _____

Location: _____

Fixture Type: _____

Catalog Number: _____

AVAILABLE FINISHES:



Berkeley

WS-W21521

PRODUCT DESCRIPTION

An iron bar runs down the center of this refined outdoor sconce, and features a little twist at the waist—a modest detail that references the substance and nostalgia of iron-forging. Meanwhile, powerful LEDs inside broadcast exceptional quality light without expending very much energy. It's an enduring look with the technology to match.

FEATURES

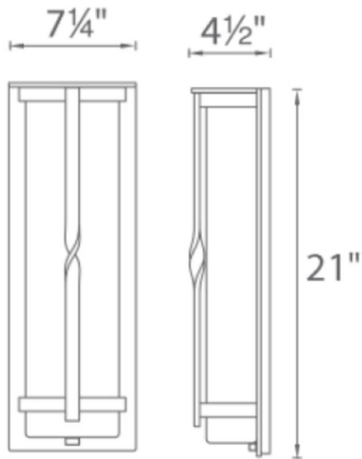
- ACLED driverless technology
- Etched opal glass

SPECIFICATIONS

Rated Life	80000 Hours
Standards	ETL, cETL, Wet Location Listed, IP65
Input	120 VAC, 50/60Hz
Dimming	ELV
Color Temp	3000K
CRI	90
Construction	Aluminum construction with etched opal glass, Solid Aluminum

REPLACEMENT PARTS

RPL-GLA-21521 - Glass



WS-W21521

Model & Size	Color Temp	Finish	LED Watts	LED Lumens	Delivered Lumens
WS-W21521 21"	3000K	BK Black	26W	1443	985
	3000K	BZ Bronze	26W	1443	985

Example: **WS-W21521-BZ**

For custom requests please contact customs@modernforms.com