



Project:

Location:

Fixture Type:

Catalog Number:

AVAILABLE FINISHES:



Skyscraper

WS-W68612

PRODUCT DESCRIPTION

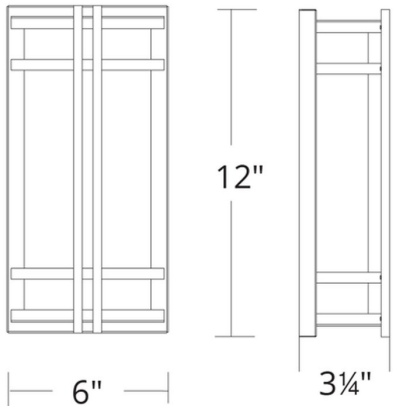
With a subtle influence of Art Deco, Skyscraper makes the old new again with modern materials and ultra-advanced technology. Peerless LEDs inside provide the finest, longest and most energy-efficient illumination possible. And Skyscraper's not just for the Chrysler Building—this prized sconce shines outside hotels, residences and restaurants too.

FEATURES

- 277V option available for special order.
- ACLED driverless technology
- SS Finish features 316 stainless steel hardware; BZ and BK finish features aluminum hardware
- F1-rated acrylic
- Built in color temperature adjustability. Switch from 2700K/3000K/3500K
- Option to pre-select color temperature or adjust in the field

SPECIFICATIONS

Rated Life	54000 Hours
Standards	ETL, cETL,Wet Location Listed,IP65,Title 24 JA8: 2019 Compliant
Input	120 VAC,50/60Hz
Dimming	ELV
Mounting	Can be mounted on wall in all orientations
Color Temp	2700K,3500K,3000K
CRI	90
Construction	Stainless steel body with etched heat bend glass,Aluminum body with etched heat bend glass



WS-W68612

REPLACEMENT PARTS

- RPL-GLA-68612-02 - Inner Glass
- RPL-GLA-68612 - Outer Acrylic Shade

Model & Size	Color Temp	Finish	LED Watts	LED Lumens	Delivered Lumens
WS-W68612 12"	2700K	BZ Bronze	12.3W 12.3W	872 872	498 498
	2700K	SS Stainless Steel			
	3500K	BZ Bronze			
	3500K	SS Stainless Steel			
	3000K	BZ Bronze			
	3000K	SS Stainless Steel			

Example: **WS-W68612-SS**

•For 277V special order, add an "F" before the finish: WS-W68612F-27-SS

For custom requests please contact customs@modernforms.com



Project:

Location:

Fixture Type:

Catalog Number:

AVAILABLE FINISHES:



Skyscraper

WS-W68618

PRODUCT DESCRIPTION

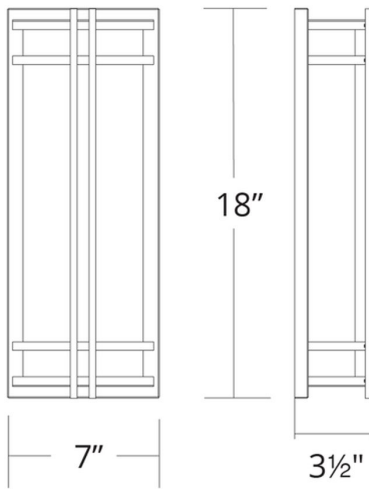
With a subtle influence of Art Deco, Skyscraper makes the old new again with modern materials and ultra-advanced technology. Peerless LEDs inside provide the finest, longest and most energy-efficient illumination possible. And Skyscraper's not just for the Chrysler Building—this prized sconce shines outside hotels, residences and restaurants too.

FEATURES

- 277V option available for special order.
- ACLED driverless technology
- SS Finish features 316 stainless steel hardware; BZ and BK finish features aluminum hardware
- F1-rated acrylic
- Built in color temperature adjustability. Switch from 2700K/3000K/3500K
- Option to pre-select color temperature or adjust in the field

SPECIFICATIONS

Rated Life	54000 Hours
Standards	ETL, cETL, Wet Location Listed, IP65, Title 24 JA8: 2019 Compliant
Input	120 VAC, 50/60Hz
Dimming	ELV
Mounting	Can be mounted on wall in all orientations
Color Temp	2700K, 3500K, 3000K
CRI	90
Construction	Aluminum body with etched heat bend glass, Stainless steel body with etched heat bend glass



WS-W68618

REPLACEMENT PARTS

- RPL-GLA-68618-02 - Inner Glass
- RPL-GLA-68618 - Outer Acrylic Shade

Model & Size	Color Temp	Finish	LED Watts	LED Lumens	Delivered Lumens
WS-W68618 18"	2700K	BK Black	14.9W	1170	697
	2700K	BZ Bronze			
	2700K	SS Stainless Steel			
	3500K	BK Black	14.9W	1170	697
	3500K	BZ Bronze			
	3500K	SS Stainless Steel			
	3000K	BK Black	14.9W	1170	697
	3000K	BZ Bronze			
	3000K	SS Stainless Steel			

Example: **WS-W68618-SS**

•For 277V special order, add an "F" before the finish: WS-W68618F-SS

For custom requests please contact customs@modernforms.com



Project:

Location:

Fixture Type:

Catalog Number:

AVAILABLE FINISHES:



Skyscraper

WS-W68627

PRODUCT DESCRIPTION

With a subtle influence of Art Deco, Skyscraper makes the old new again with modern materials and ultra-advanced technology. Peerless LEDs inside provide the finest, longest and most energy-efficient illumination possible. And Skyscraper's not just for the Chrysler Building—this prized sconce shines outside hotels, residences and restaurants too.

FEATURES

- 277V option available for special order.
- ACLED driverless technology
- SS Finish features 316 stainless steel hardware; BZ and BK finish features aluminum hardware
- F1-rated acrylic
- Built in color temperature adjustability. Switch from 2700K/3000K/3500K
- Option to pre-select color temperature or adjust in the field

SPECIFICATIONS

Rated Life	54000 Hours
Standards	ETL, cETL,Wet Location Listed,IP65,Title 24 JA8: 2019 Compliant
Input	120 VAC,50/60Hz
Dimming	ELV
Mounting	Can be mounted on wall in all orientations
Color Temp	2700K,3500K,3000K
CRI	90
Construction	Aluminum body with etched heat bend glass,Stainless steel body with etched heat bend glass



WS-W68627

REPLACEMENT PARTS

- RPL-GLA-68627-02 - Inner Glass
- RPL-GLA-68627 - Outer Acrylic Shade

Model & Size	Color Temp	Finish	LED Watts	LED Lumens	Delivered Lumens
WS-W68627 27"	2700K	BK Black	21W	1645	942
	2700K	BZ Bronze			
	2700K	SS Stainless Steel			
	3500K	BK Black	21W	1645	942
	3500K	BZ Bronze			
	3500K	SS Stainless Steel			
	3000K	BK Black	21W	1645	942
	3000K	BZ Bronze	21W	1645	942
	3000K	SS Stainless Steel	21W	1645	942

Example: **WS-W68627-SS**

•For 277V special order, add an "F" before the finish: WS-W68627F-BK

For custom requests please contact customs@modernforms.com



Project: _____

Location: _____

Fixture Type: _____

Catalog Number: _____

AVAILABLE FINISHES:



Skyscraper

WS-W68637

PRODUCT DESCRIPTION

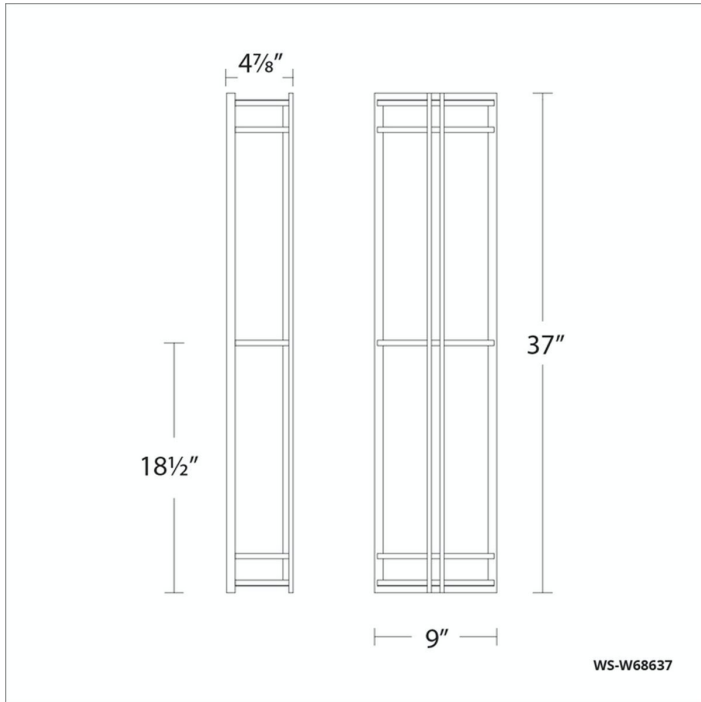
With a subtle influence of Art Deco, Skyscraper makes the old new again with modern materials and ultra-advanced technology. Peerless LEDs inside provide the finest, longest and most energy-efficient illumination possible. And Skyscraper's not just for the Chrysler Building—this prized sconce shines outside hotels, residences and restaurants too.

FEATURES

- 277V option available for special order.
- ACLED driverless technology
- SS Finish features 316 stainless steel hardware; BZ and BK finish features aluminum hardware
- F1-rated acrylic
- Built in color temperature adjustability. Switch from 2700K/3000K/3500K
- Option to pre-select color temperature or adjust in the field

SPECIFICATIONS

Rated Life	54000 Hours
Standards	ETL, cETL,Wet Location Listed,IP65,Title 24 JA8: 2019 Compliant
Input	120 VAC,50/60Hz
Dimming	ELV
Mounting	Can be mounted on wall in all orientations
Color Temp	2700K,3500K,3000K
CRI	90
Construction	Aluminum body with etched heat bend glass,Stainless steel body with etched heat bend glass



REPLACEMENT PARTS

- RPL-GLA-68637-02 - Inner Glass
- RPL-GLA-68637 - Outer Acrylic Shade

Model & Size	Color Temp	Finish	LED Watts	LED Lumens	Delivered Lumens
WS-W68637 37"	2700K	BK Black	45.5W	3106	2140
	2700K	SS Stainless Steel	45.5W	3106	2140
	3500K	BK Black	45.5W	3106	2140
	3500K	SS Stainless Steel	45.5W	3106	2140
	3000K	BK Black	45.5W	3106	2140
	3000K	SS Stainless Steel	45.5W	3106	2140

Example: **WS-W68637-SS**

•For 277V special order, add an "F" before the finish: WS-W68637F-35-BK

For custom requests please contact customs@modernforms.com