



Project:

Location:

Fixture Type:

Catalog Number:

AVAILABLE FINISHES:



Big V

WS-W69620

PRODUCT DESCRIPTION

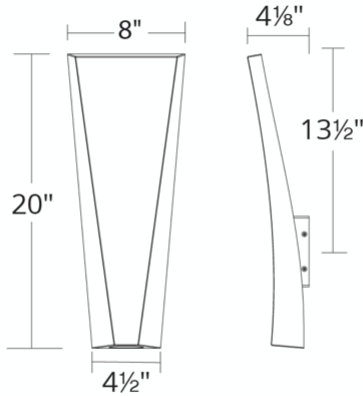
Like a panel from a Richard Serra sculpture, this vaulted sconce has a monolithic presence and a low-energy impact, thanks to its quality construction from a single aluminum casting and state-of-the-art LEDs inside, which produce exceptional ambient and task lighting along paths and entranceways. Bold yet understated in weather-resistant finish.

FEATURES

- Driver concealed within the fixture
- Up and down illumination

SPECIFICATIONS

Rated Life	54000 Hours
Standards	ETL, cETL, Wet Location Listed, IP65, Title 24 JA8: 2019 Compliant
Input	120-277V, 50/60Hz
Dimming	ELV
Color Temp	3000K
CRI	90
Construction	Aluminum construction.



WS-W69620

Model & Size	Color Temp	Finish	LED Watts	LED Lumens	Delivered Lumens
WS-W69620 20"	3000K	BZ Bronze	23.1W	1478	1249

Example: **WS-W69620-BZ**

For custom requests please contact customs@modernforms.com



Project: _____

Location: _____

Fixture Type: _____

Catalog Number: _____

AVAILABLE FINISHES:



Big V

WS-W69628

PRODUCT DESCRIPTION

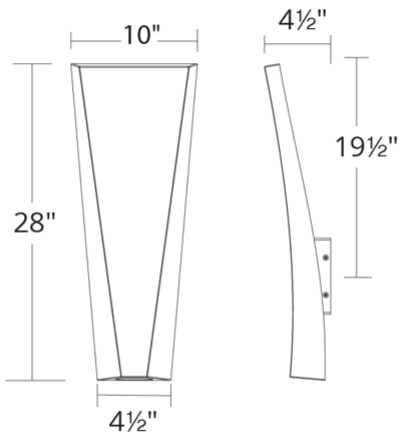
Like a panel from a Richard Serra sculpture, this vaulted sconce has a monolithic presence and a low-energy impact, thanks to its quality construction from a single aluminum casting and state-of-the-art LEDs inside, which produce exceptional ambient and task lighting along paths and entranceways. Bold yet understated in weather-resistant finish.

FEATURES

- Driver concealed within the fixture
- Up and down illumination

SPECIFICATIONS

Rated Life	54000 Hours
Standards	ETL, cETL, Wet Location Listed, IP65, Title 24 JA8: 2019 Compliant
Input	120-277V, 50/60Hz
Dimming	ELV
Color Temp	3000K
CRI	90
Construction	Aluminum construction.



WS-W69628

Model & Size	Color Temp	Finish	LED Watts	LED Lumens	Delivered Lumens
WS-W69628 28"	3000K	BZ Bronze	27.6W	1763	1344

Example: **WS-W69628-BZ**

For custom requests please contact customs@modernforms.com