

WS-W11716

Project:

Location:

Fixture Type:

Catalog Number:

**AVAILABLE FINISHES:**



## Blade

WS-W11716

**PRODUCT DESCRIPTION**

A new slant on modern lighting. This low profile angular sconce deploys robust indirect illumination on walls and surfaces in two sizes for various exterior and interior applications. The subtle graduated design offers a unique look and high style appeal.

**FEATURES**

- 277V option available for special order.
- ACLED driverless technology
- Back-lit illumination

**SPECIFICATIONS**

Rated Life	50,000 Hours
Standards	ETL, cETL, Wet Location Listed
Input	120 VAC, 50/60Hz
Dimming	ELV
Mounting	Can be mounted on wall vertically or upside down
Color Temp	3000K
CRI	90
Construction	Aluminum hardware

**REPLACEMENT PARTS**

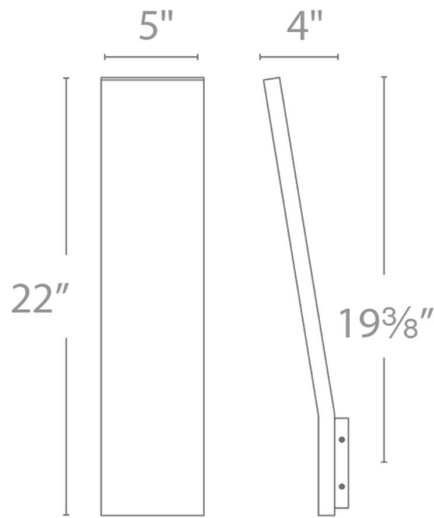
RPL-GLA-11716 - Glass

Model & Size	Color Temp	Finish	LED Watts	LED Lumens	Delivered Lumens
WS-W11716 16"	3000K	BK Black	15W	1300	1102

Example: **WS-W11716-BK**

•For 277V special order, add an "F" before the finish: WS-W11716F-BK

For custom requests please contact [customs@modernforms.com](mailto:customs@modernforms.com)



WS-W11722

Project:

Location:

Fixture Type:

Catalog Number:

**AVAILABLE FINISHES:**



## Blade

WS-W11722

**PRODUCT DESCRIPTION**

A new slant on modern lighting. This low profile angular sconce deploys robust indirect illumination on walls and surfaces in two sizes for various exterior and interior applications. The subtle graduated design offers a unique look and high style appeal.

**FEATURES**

- 277V option available for special order.
- ACLED driverless technology
- Back-lit illumination

**SPECIFICATIONS**

Rated Life	50,000 Hours
Standards	ETL, cETL, Wet Location Listed
Input	120 VAC, 50/60Hz
Dimming	ELV
Mounting	Can be mounted on wall vertically or upside down
Color Temp	3000K
CRI	90
Construction	Aluminum hardware

**REPLACEMENT PARTS**

RPL-GLA-11722 - Glass

Model & Size	Color Temp	Finish	LED Watts	LED Lumens	Delivered Lumens
WS-W11722 22"	3000K	BK Black	21.1W	1863	1610

Example: **WS-W11722-BK**

•For 277V special order, add an "F" before the finish: WS-W11722F-BK

For custom requests please contact [customs@modernforms.com](mailto:customs@modernforms.com)