



Project: _____

Location: _____

Fixture Type: _____

Catalog Number: _____

AVAILABLE FINISHES:



Coliseo

PD-72128

PRODUCT DESCRIPTION

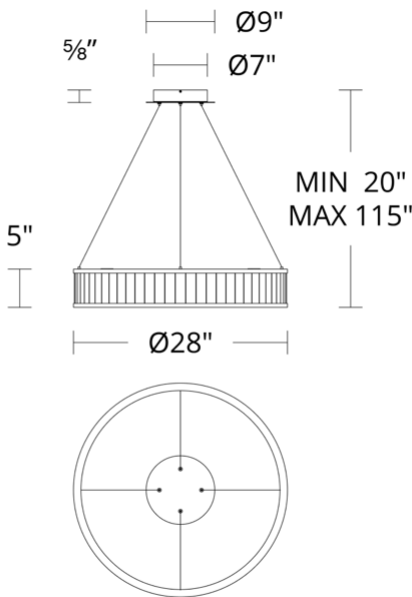
Where gracious living begins. Immaculate tiles of top-quality Spanish alabaster create a natural luxury set within a channel of luminous antique nickel. Simple elegance is subtly conveyed where no detail is spared including thin aircraft cables for power and suspension.

FEATURES

- Driver concealed within the canopy
- First quality Spanish alabaster
- Each crafted fixture combines individual pieces of natural stone that feature unique veining and color variation
- Thin powered aircraft cables provide an ultra clean look for adjustable suspension height
- Spin-on round canopy with minimal hardware

SPECIFICATIONS

| | |
|--------------|--|
| Rated Life | 50000 Hours |
| Standards | ETL, cETL,Damp Location Listed, Title 24 JA8: 2019 Compliant |
| Input | 120-277V, 50/60Hz |
| Dimming | ELV, 0-10V, TRIAC |
| Color Temp | 3000K |
| CRI | 90 |
| Construction | Extruded aluminum with alabaster shade |



PD-72128

REPLACEMENT PARTS

RPL-GLA-72128 - Alabaster Panel

| Model & Size | Color Temp | Finish | LED Watts | LED Lumens | Delivered Lumens |
|--------------|------------|-------------------|-----------|------------|------------------|
| PD-72128 28" | 3000K | AN Antique Nickel | 42.1W | 4242 | 2851 |

Example: **PD-72128-AN**

For custom requests please contact customs@modernforms.com