

WS-32128

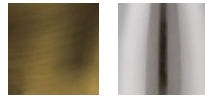
Project:

Location:

Fixture Type:

Catalog Number:

AVAILABLE FINISHES:



Emblem

WS-32128

PRODUCT DESCRIPTION

A refined update to traditional styles. A compelling blend of a curvilinear design, reclaimed crystal and LED technology creates a peerless, enduring look for today's baths and powderrooms. This ADA compliant luminaire mounts on the wall in all directions.

FEATURES

- Driver concealed within the canopy
- Artisanal shade made with reclaimed crystal

SPECIFICATIONS

Rated Life	50000 Hours
Standards	ETL, cETL, Damp Location Listed, Title 24 JA8: 2019 Compliant
Input	120/277V, 50/60Hz
Dimming	ELV: 100-10%, TRIAC: 100-10%
Mounting	Can be mounted on wall in all orientations
Color Temp	3000K
CRI	90
Construction	Steel and aluminum body with reclaimed crystal diffuser

Model & Size	Color Temp	Finish	LED Watts	LED Lumens	Delivered Lumens
WS-32128 28"	3000K	AB Aged Brass	20.1W	1394	1127
	3000K	BN Brushed Nickel	20.1W	1394	1127

Example: **WS-32128-BN**

For custom requests please contact customs@modernforms.com

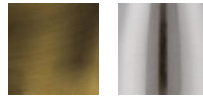
Project:

Location:

Fixture Type:

Catalog Number:

AVAILABLE FINISHES:



Emblem

WS-32138

PRODUCT DESCRIPTION

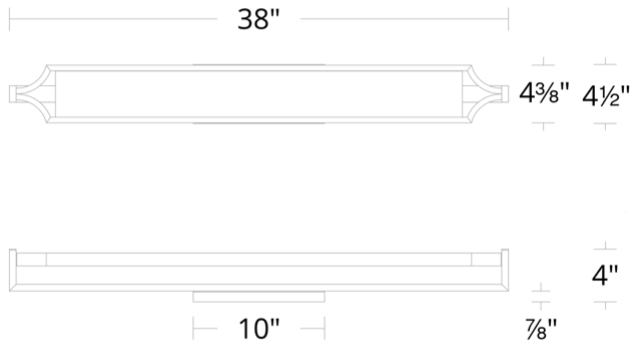
A refined update to traditional styles. A compelling blend of a curvilinear design, reclaimed crystal and LED technology creates a peerless, enduring look for today's baths and powderrooms. This ADA compliant luminaire mounts on the wall in all directions.

FEATURES

- Driver concealed within the canopy
- Artisanal shade made with reclaimed crystal

SPECIFICATIONS

Rated Life	50000 Hours
Standards	ETL, cETL, Damp Location Listed, Title 24 JA8: 2019 Compliant
Input	120/277V, 50/60Hz
Dimming	ELV: 100-10%, TRIAC: 100-10%
Mounting	Can be mounted on wall in all orientations
Color Temp	3000K
CRI	90
Construction	Steel and aluminum body with reclaimed crystal diffuser



WS-32138

Model & Size	Color Temp	Finish	LED Watts	LED Lumens	Delivered Lumens
WS-32138 38"	3000K	AB Aged Brass	29.1W	1821	1507
	3000K	BN Brushed Nickel	29.1W	1821	1507

Example: **WS-32138-BN**

For custom requests please contact customs@modernforms.com