



Project: \_\_\_\_\_

Location: \_\_\_\_\_

Fixture Type: \_\_\_\_\_

Catalog Number: \_\_\_\_\_

**AVAILABLE FINISHES:**



## Double Bubble

WS-82015

**PRODUCT DESCRIPTION**

When it comes to luxurious lighting, two spheres can be better than one. These twin luminous crystal ball diffusers provide beautiful balanced light around your interior walls.

**FEATURES**

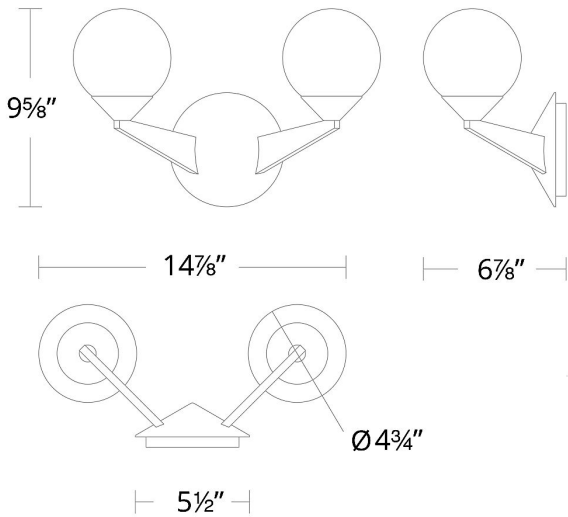
- Driver concealed within the canopy
- Light is evenly diffused through laser etched crystal ball
- Not recommended for dimming @220V

**SPECIFICATIONS**

Rated Life	50,000 Hours
Standards	ETL, cETL,Damp Location Listed,Title 24 JA8: 2019 Compliant
Input	120-277 VAC,50/60Hz
Dimming	ELV
Color Temp	3000K
CRI	90
Construction	Metal body with laser etched crystal shade

**REPLACEMENT PARTS**

RPL-GLA-82006 - Replacement Glass



WS-82014

Model & Size	Color Temp	Finish	LED Watts	LED Lumens	Delivered Lumens
WS-82015 15"	3000K	AB Aged Brass	8W	768	730
	3000K	BK Black	8W	768	730
	3000K	SN Satin Nickel	8W	768	730

Example: **WS-82015-SN**

For custom requests please contact [customs@modernforms.com](mailto:customs@modernforms.com)