



Project: _____

Location: _____

Fixture Type: _____

Catalog Number: _____

AVAILABLE FINISHES:



Lanza

WS-52420

PRODUCT DESCRIPTION

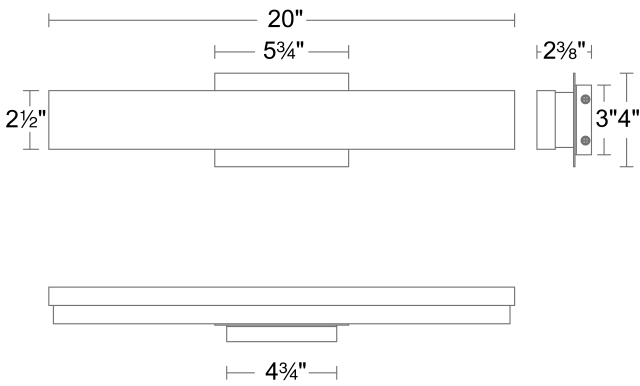
Streamlined and simple. An elegant bar of organic Spanish Alabaster is mounted on a rectangular plate. When lit, this slim sconce offers luxurious, softly diffused illumination.

FEATURES

- ACLED driverless technology
- First class quality Spanish alabaster
- Natural alabaster with unique veining in each crafted piece
- Conversion plate included for 4" junction box
- Trimless spackle cover available for 4" square junction box recessed in drywall thicknesses of 1/2", 5/8", 1", and 1-1/4"; accessory not included and can be ordered separately (model# MKCP-3040-WT)

SPECIFICATIONS

Rated Life	54000 Hours
Standards	ETL, cETL,Damp Location Listed
Input	120 VAC,50/60Hz
Dimming	ELV: 100-5%,TRIAC: 100-5%
Mounting	Can be mounted on wall in all orientations
Color Temp	3000K
CRI	90
Construction	Extruded aluminum body with alabaster shade



WS-52420

REPLACEMENT PARTS

RPL-GLA-52420 - Alabaster

Model & Size	Color Temp	Finish	LED Watts	LED Lumens	Delivered Lumens
WS-52420 20"	3000K	AB Aged Brass	20.4W	1673	667
	3000K	BK Black	20.4W	1673	667

Example: **WS-52420-BK**

For custom requests please contact customs@modernforms.com



Project: _____

Location: _____

Fixture Type: _____

Catalog Number: _____

AVAILABLE FINISHES:



Lanza

WS-52427

PRODUCT DESCRIPTION

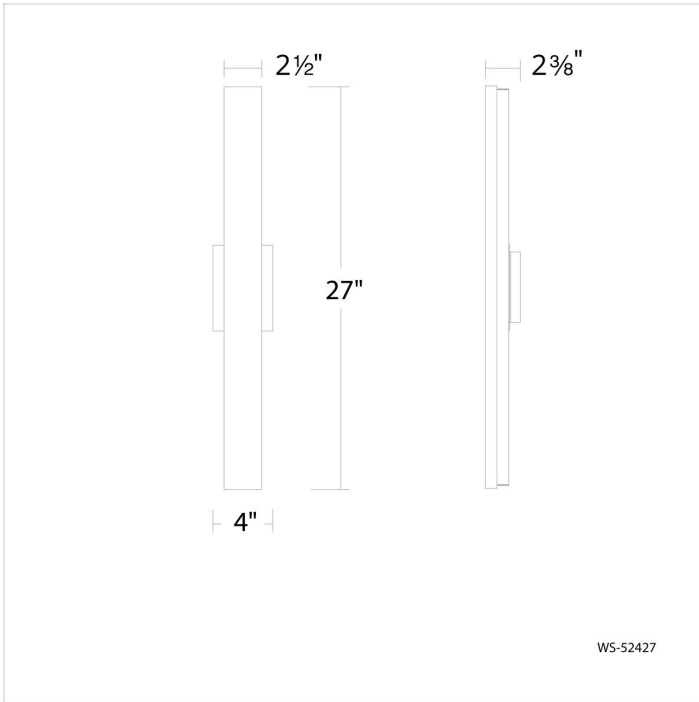
Streamlined and simple. An elegant bar of organic Spanish Alabaster is mounted on a rectangular plate. When lit, this slim sconce offers luxurious, softly diffused illumination.

FEATURES

- ACLED driverless technology
- First class quality Spanish alabaster
- Natural alabaster with unique veining in each crafted piece
- Conversion plate included for 4" junction box
- Trimless spackle cover available for 4" square junction box recessed in drywall thicknesses of 1/2", 5/8", 1", and 1-1/4"; accessory not included and can be ordered separately (model# MKCP-3040-WT)

SPECIFICATIONS

Rated Life	54000 Hours
Standards	ETL, cETL,Damp Location Listed
Input	120 VAC,50/60Hz
Dimming	ELV: 100-5%,TRIAC: 100-5%
Mounting	Can be mounted on wall in all orientations
Color Temp	3000K
CRI	90
Construction	Extruded aluminum body with alabaster shade



WS-52427

Model & Size	Color Temp	Finish	LED Watts	LED Lumens	Delivered Lumens
WS-52427 27"	3000K	AB Aged Brass	25.5W	2318	1281
	3000K	BK Black	25.5W	2318	1281

Example: **WS-52427-BK**

For custom requests please contact customs@modernforms.com



Project:

Location:

Fixture Type:

Catalog Number:

AVAILABLE FINISHES:



Lanza

WS-52434

PRODUCT DESCRIPTION

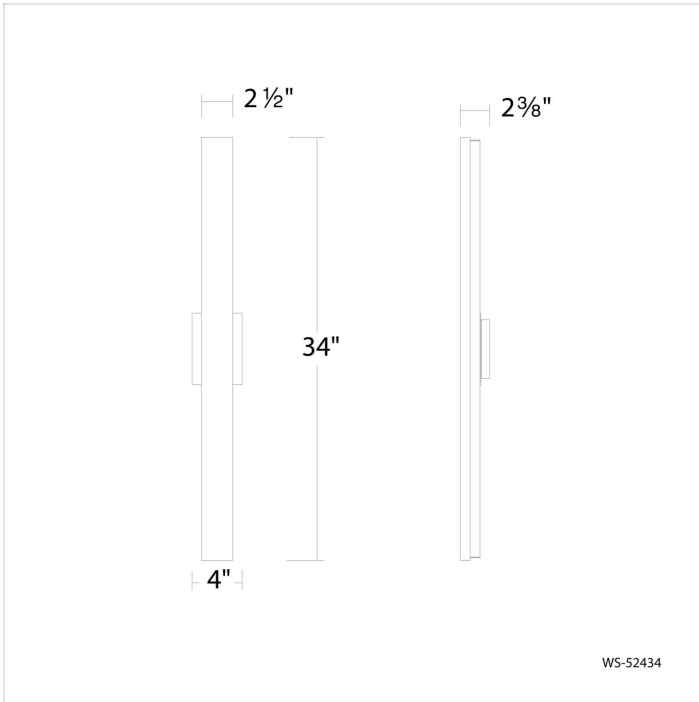
Streamlined and simple. An elegant bar of organic Spanish Alabaster is mounted on a rectangular plate. When lit, this slim sconce offers luxurious, softly diffused illumination.

FEATURES

- ACLED driverless technology
- First class quality Spanish alabaster
- Natural alabaster with unique veining in each crafted piece
- Conversion plate included for 4" junction box
- Trimless spackle cover available for 4" square junction box recessed in drywall thicknesses of 1/2", 5/8", 1", and 1-1/4"; accessory not included and can be ordered separately (model# MKCP-3040-WT)

SPECIFICATIONS

Rated Life	54000 Hours
Standards	ETL, cETL,Damp Location Listed
Input	120 VAC,50/60Hz
Dimming	ELV: 100-5%,TRIAC: 100-5%
Mounting	Can be mounted on wall in all orientations
Color Temp	3000K
CRI	90
Construction	Extruded aluminum body with alabaster shade



Model & Size	Color Temp	Finish	LED Watts	LED Lumens	Delivered Lumens
WS-52434 34"	3000K	AB Aged Brass	38.8W	3743	1718
	3000K	BK Black	38.8W	3743	1718

Example: **WS-52434-BK**

For custom requests please contact customs@modernforms.com