

PD-41813S

Project: _____

Location: _____

Fixture Type: _____

Catalog Number: _____

AVAILABLE FINISHES:



Cascade

PD-41813S

FEATURES

- Driver concealed within the canopy
- CNC precision-cut etched diffuser
- Thin powered aircraft cables provide an ultra clean look for adjustable suspension height
- NEC CODE (314.24) requires that ceiling outlet boxes in the U.S. support up to 50 lbs.
- Built in color temperature adjustability. Switch from 2700K/3000K/3500K/4000K

SPECIFICATIONS

Rated Life	50,000 Hours
Standards	ETL, cETL,Damp Location Listed
Input	120-277 VAC,50/60Hz
Dimming	ELV
Color Temp	2700K/3000K/3500K/4000K
CRI	90
Construction	Steel body with acrylic diffuser

REPLACEMENT PARTS

RPL-GLA-41819 - Glass

Model & Size

Color Temp & CRI

Watt

Lumens

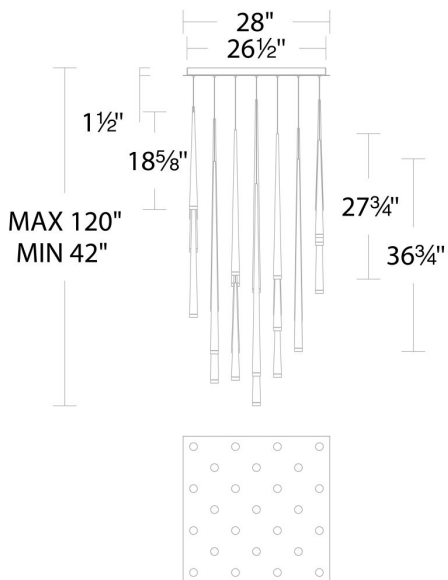
Finish

Model & Size	Color Temp & CRI	Watt	Lumens	Finish
PD-41813S 20" - 13 Lights	2700K/3000K/90	98W	4878	AB Aged Brass
		98W	4878	BK Black
		98W	4878	PN Polished Nickel
	2700K/3000K/90	98W	4878	AB Aged Brass
		98W	4878	BK Black
		98W	4878	PN Polished Nickel



Example: **PD-41813S-PN**

For custom requests please contact customs@modernforms.com



PD-41825S

Project: _____

Location: _____

Fixture Type: _____

Catalog Number: _____

AVAILABLE FINISHES:



Cascade

PD-41825S

FEATURES

- Driver concealed within the canopy
- CNC precision-cut etched diffuser
- Thin powered aircraft cables provide an ultra clean look for adjustable suspension height
- NEC CODE (314.24) requires that ceiling outlet boxes in the U.S. support up to 50 lbs.
- This fixture in the 25 and 41 light format exceeds 50 lbs. and must be installed using a U.L. listed outlet box approved for up to 100 lbs. and 175 lbs. or supported independently of the outlet box
- Built in color temperature adjustability. Switch from 2700K/3000K/3500K/4000K

SPECIFICATIONS

Rated Life	50,000 Hours
Standards	ETL, cETL,Damp Location Listed
Input	120-277 VAC,50/60Hz
Dimming	ELV
Color Temp	2700K/3000K/3500K/4000K
CRI	90
Construction	Steel body with acrylic diffuser

REPLACEMENT PARTS

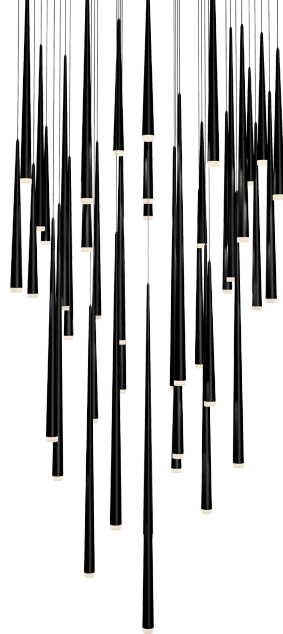
RPL-GLA-41819 - Glass

Model & Size	Color Temp & CRI	Watt	Lumens	Finish
PD-41825S 28" - 25 Lights	2700K/3000K/ 90	182W	9381	AB Aged Brass
		182W	9381	BK Black
	2700K/3000K/ 90	182W	9381	PN Polished Nickel
		182W	9381	
	2700K/3000K/ 90	182W	9381	
		182W	9381	



Example: **PD-418255-PN**

For custom requests please contact customs@modernforms.com



Project: _____

Location: _____

Fixture Type: _____

Catalog Number: _____

AVAILABLE FINISHES:



Cascade

PD-41841S

FEATURES

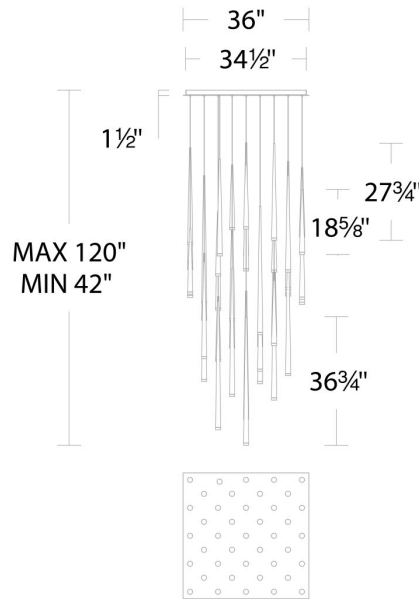
- Driver concealed within the canopy
- CNC precision-cut etched diffuser
- Thin powered aircraft cables provide an ultra clean look for adjustable suspension height
- NEC CODE (314.24) requires that ceiling outlet boxes in the U.S. support up to 50 lbs.
- This fixture in the 25 and 41 light format exceeds 50 lbs. and must be installed using a U.L. listed outlet box approved for up to 100 lbs. and 175 lbs. or supported independently of the outlet box
- Built in color temperature adjustability. Switch from 2700K/3000K/3500K/4000K

SPECIFICATIONS

Rated Life	50,000 Hours
Standards	ETL, cETL,Damp Location Listed
Input	120-277 VAC,50/60Hz
Dimming	ELV
Color Temp	2700K/3000K/3500K/4000K
CRI	90
Construction	Steel body with acrylic diffuser

REPLACEMENT PARTS

RPL-GLA-41819 - Glass



PD-41841S

Model & Size	Color Temp & CRI	Watt	Lumens	Finish
PD-41841S 36" - 41 Lights	2700K/3000K/ 90	294W	15385	AB Aged Brass
		294W	15385	BK Black
	2700K/3000K/ 90	294W	15385	PN Polished Nickel
		2700K/3000K/ 90		



Example: **PD-41841S-PN**

For custom requests please contact customs@modernforms.com