



Project:

Location:

Fixture Type:

Catalog Number:

AVAILABLE FINISHES:



Brimm

PD282609

PRODUCT DESCRIPTION

Fluid form meets fearless design. The Brimm pendant is a study in movement, as its hand-applied gold leaf finish and cloudy acrylic orb diffuser captures light in a soft, ambient embrace. Sculptural and unexpected, Brimm pushes beyond the predictable with a profile that feels both organic and futuristic: an expressive focal point that transforms the atmosphere of a room. Whether cast a dramatic glow above a dining table or creating mood in a modern lounge, Brimm proves that lighting can be art, attitude, and architecture all at once.

FEATURES

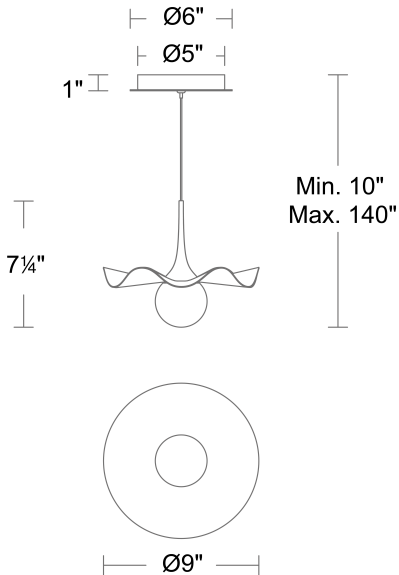
- Driver concealed within the canopy
- Hand leafed finish
- Undulating frame with artisan crafted hazy cloud acrylic
- Each unique piece lends itself to variations in milkiness
- Spin on round canopy with minimal hardware
- Thin, powered aircraft cables provide an ultraclean look for adjustable suspension height

SPECIFICATIONS

Rated Life	50,000 Hours
Standards	ETL, cETL,Damp Location Listed,Title 24 JA8: 2025 Compliant
Input	120-277 VAC,50/60Hz
Dimming	ELV: 100-10%,TRIAC: 100-10%
Color Temp	3000K
CRI	90
Construction	Formed aluminum frame with decorative acrylic diffuser

REPLACEMENT PARTS

RPL-LED-282609 - Replacement LED



PD282609

Model & Size	Color Temp	Finish	LED Watts	LED Lumens	Delivered Lumens
PD282609 9"	3000K	AB/GL Gold Leaf/Aged Brass	5.7W	465	455

Example: **PD282609-AB/GL**

For custom requests please contact customs@modernforms.com