



Project:

Location:

Fixture Type:

Catalog Number:

AVAILABLE FINISHES:



Lorelei

PD288628

PRODUCT DESCRIPTION

Timeless Elegance. Modern Mastery. The Lorelei Pendant transforms classic chandelier design into a bold work of contemporary art. A circular frame of white jade with ribbed edges glows with refined warmth, while the chain suspension adds a subtle touch of drama and sophistication. Integrated 4CCT selectable color temperature technology allows you to tailor the ambiance — from a warm, inviting glow to crisp, clean light. Perfect for grand dining rooms, tall entryways, or statement-making living spaces, Lorelei’s sculptural form and handcrafted details elevate interiors with a sense of effortless luxury. It’s a piece that balances timeless beauty with cutting-edge innovation — a modern heirloom designed for today’s most visionary spaces.

FEATURES

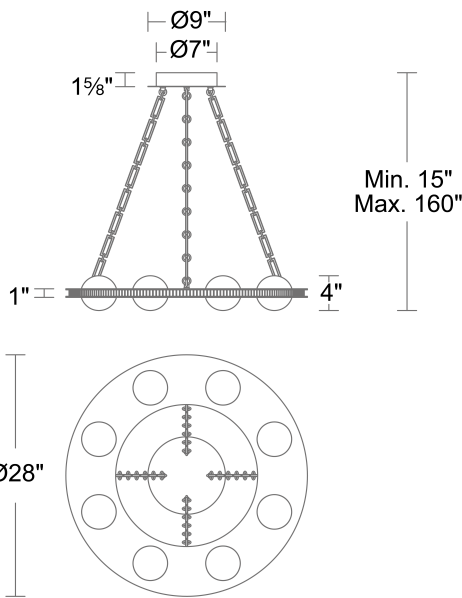
- Driver concealed within the canopy
- Natural white jade stone features unique veining and color variation
- Decorative ribbed accent
- Built in color temperature adjustability. Switch from 2700K/3000K/3500K/4000K
- 40" chain Included (additional sold separately)
- Patent Pending

SPECIFICATIONS

Rated Life	54000 Hours
Standards	ETL, cETL, Damp Location Listed
Input	120-277 VAC, 50/60Hz
Dimming	ELV, 0-10V, TRIAC
Color Temp	2700K/3000K/3500K/4000K
CRI	90
Construction	Machined aluminum frame with natural white jade diffuser

REPLACEMENT PARTS

- RPL-LED-288628 - Replacement LED
- RPL-CHAIN-AB - 40" AB Chain



PD288628

Model & Size	Color Temp	Finish	LED Watts	LED Lumens	Delivered Lumens
PD288628 28"	2700K/3000K/3500K/4000K	AB Aged Brass	41W	4188	2134

Example: **PD288628-AB**

For custom requests please contact customs@modernforms.com