



Project: _____

Location: _____

Fixture Type: _____

Catalog Number: _____

AVAILABLE FINISHES:



Austen

PD604636

PRODUCT DESCRIPTION

Refined Geometry. Timeless Illumination. The Austen Pendant is a study in architectural elegance, blending clean lines with luxurious materials for a timeless aesthetic. Crafted from luminous white jade and suspended from a classic chain, its geometric frame glows with sophisticated warmth. The addition of 4CCT selectable color temperatures ensures tailored illumination for any mood or moment. Whether illuminating a kitchen island or elevating a hallway, Austen brings quiet confidence and enduring style. It's modern design rooted in timeless craftsmanship — a perfect balance of beauty and performance.

FEATURES

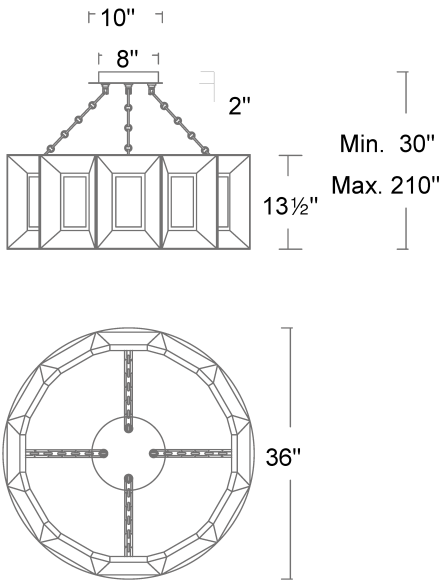
- Driver concealed within the canopy
- Natural white jade stone features unique veining and color variation
- Edge lit illumination
- Built in color temperature adjustability. Switch from 2700K/3000K/3500K/4000K
- 40" chain Included (additional sold separately)
- Patent Pending

SPECIFICATIONS

Rated Life	54000 Hours
Standards	ETL, cETL,Damp Location Listed
Input	120-277 VAC,50/60Hz
Dimming	ELV, 0-10V, TRIAC
Color Temp	2700K/3000K/3500K/4000K
CRI	90
Construction	Aluminum frame with natural white jade diffuser

REPLACEMENT PARTS

RPL-CHAIN-AB - 40" AB Chain



PD604636

Model & Size	Color Temp	Finish	LED Watts	LED Lumens	Delivered Lumens
PD604636 36"	2700K/3000K/3500K/4000K	AB Aged Brass	111.4W	8800	3473

Example: **PD604636-AB**

For custom requests please contact customs@modernforms.com