

Project:

Location:

Fixture Type:

Catalog Number:

**AVAILABLE FINISHES:**



# Clarice

WS236618

**PRODUCT DESCRIPTION**

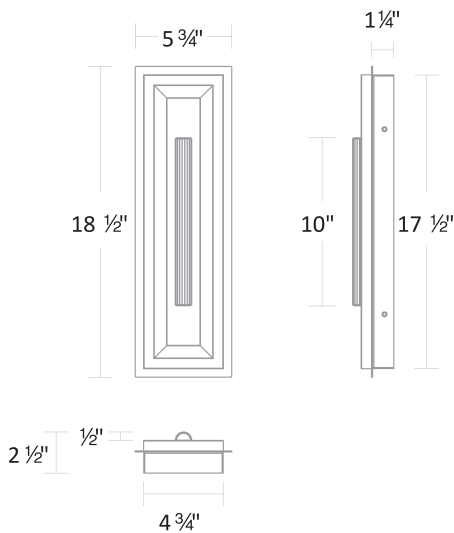
Sculptural Simplicity. The Clarice Wall Sconce transforms natural materials into luminous art. Inspired by carved stone columns, a slab of luxurious Spanish Alabaster diffuses light with soft, natural warmth, creating a dramatic interplay of light and shadow across the wall. The result is architectural yet organic: a sculptural piece that feels timeless in its simplicity and modern in its execution. Ideal for hallways or living spaces, Clarice offers versatility and elegance in equal measure. Designed with precision and powered by advanced LED technology, it provides consistent, energy-efficient illumination while maintaining a refined, gallery-worthy presence.

**FEATURES**

- Driver concealed within the canopy
- Front lit illuminated alabaster
- Premium natural Spanish alabaster stone features unique veining and color variation
- Decorative semicylindrical metal accent
- Patent Pending

**SPECIFICATIONS**

<b>Rated Life</b>	50,000 Hours
<b>Standards</b>	ETL, cETL,Damp Location Listed, Title 24 JA8: 2025 Compliant
<b>Input</b>	120-277 VAC, 50/60Hz
<b>Dimming</b>	ELV, 0-10V, TRIAC
<b>Mounting</b>	Can be mounted on wall vertically or upside down
<b>Color Temp</b>	3000K
<b>CRI</b>	90
<b>Construction</b>	Steel frame and aluminum accent with natural alabaster shade



WS236618

Model & Size	Color Temp	Finish	LED Watts	LED Lumens	Delivered Lumens
WS236618 19"	3000K	AB Aged Brass	31.9W	2,741	1,261
	3000K	AN Antique Nickel	31.9W	2,741	1,261

Example: **WS236618-AN**

For custom requests please contact [customs@modernforms.com](mailto:customs@modernforms.com)