



Project:

Location:

Fixture Type:

Catalog Number:

**AVAILABLE FINISHES:**



# Takonic

WSW206616

**PRODUCT DESCRIPTION**

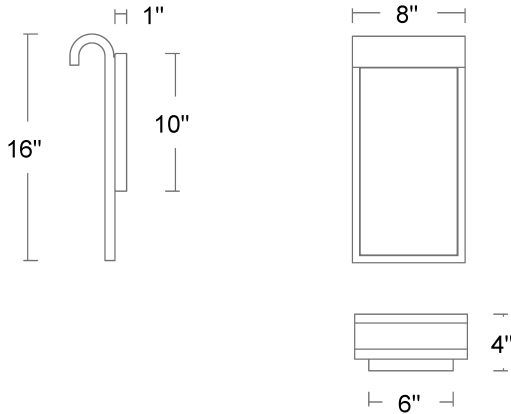
Dynamic Dual Illumination. The Takonic Collection redefines exterior lighting with a bold, architectural presence. Each sconce in this series features a substantial granite panel, expertly framed and meticulously detailed, creating a cultured statement piece for any façade. Delivering a powerful 3000K LED down light Takonic ensures both commanding aesthetics and uncompromising performance. The distinctive texture and robust construction promise an enchanting interplay of light and shadow, elevating your outdoor environment with sophisticated grace. Designed for enduring be Takonic is the embodiment of modern exterior illumination.

**FEATURES**

- ACLED driverless technology
- Natural granite stone features inclusions and variations in color and texture in each crafted piece

**SPECIFICATIONS**

<b>Rated Life</b>	54000 Hours
<b>Standards</b>	ETL, cETL, Wet Location Listed
<b>Input</b>	120 VAC, 50/60Hz
<b>Dimming</b>	ELV: 100-10%, TRIAC: 100-10%
<b>Color Temp</b>	3000K
<b>CRI</b>	90
<b>Construction</b>	Aluminum frame with stone shade and acrylic diffuser



WSW206616

Model & Size	Color Temp	Finish	LED Watts	LED Lumens	Delivered Lumens
WSW206616 16"	3000K	GT/BK Granite Stone/Black	10.8W	350	103

Example: **WSW206616-GT/BK**

For custom requests please contact [customs@modernforms.com](mailto:customs@modernforms.com)