



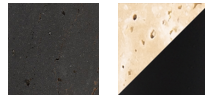
Project:

Location:

Fixture Type:

Catalog Number:

AVAILABLE FINISHES:



Bell Tower

WSW218620

PRODUCT DESCRIPTION

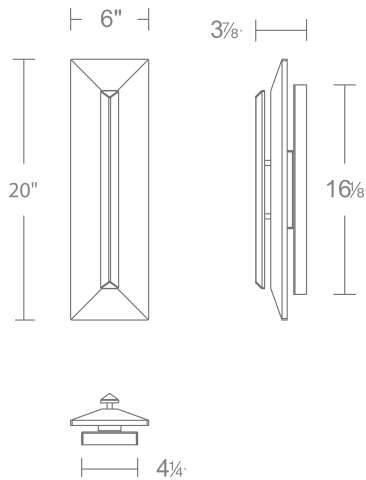
Luminous Verticality. The Bell Tower Outdoor Wall Light presents a bold and architectural statement for sophisticated exteriors, characterized by its enchanting backlit glow. Each outdoor sconce features a beautifully organic panel of either Basalt or Travertine, chosen for its innate beauty and textured depth. This natural stone is dramatically backlit by 4CCT LEDs, creating a stunning luminous column that elevates any façade. Bell Tower luminaires are cultured expressions of modern design, offering a powerful yet diffused radiance that truly enhances the grandeur of a home.

FEATURES

- Driver concealed within the canopy
- Ambient and backlit illumination
- Natural stone features inclusions and variations in color and texture in each crafted piece
- Built in color temperature adjustability. Switch from 2700K/3000K/3500K/4000K

SPECIFICATIONS

Rated Life	54000 Hours
Standards	ETL, cETL, Wet Location Listed
Input	120-277 VAC, 50/60Hz
Dimming	ELV: 100-5%, TRIAC: 100-5%
Mounting	Can be mounted on wall in all orientations
Color Temp	2700K/3000K/3500K/4000K
CRI	90
Construction	Aluminum frame with stone shade and acrylic diffuser



WSW218620

Model & Size	Color Temp	Finish	LED Watts	LED Lumens	Delivered Lumens
WSW218620 20"	2700K/3000K/3500K/4000K	BV/BK Basalt Stone/Black	19.8W	1600	433
	2700K/3000K/3500K/4000K	WV/BK Beige Travertine/Black	19.8W	1600	433

Example: **WSW218620-WV/BK**

For custom requests please contact customs@modernforms.com



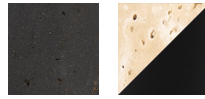
Project: _____

Location: _____

Fixture Type: _____

Catalog Number: _____

AVAILABLE FINISHES:



Bell Tower

WSW218628

PRODUCT DESCRIPTION

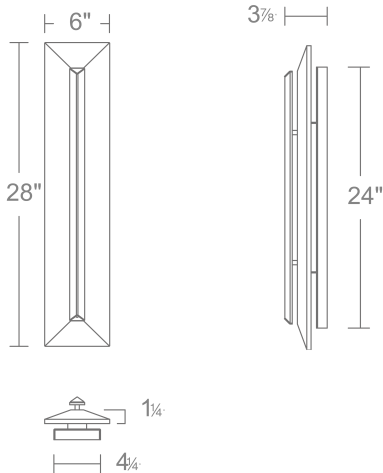
Luminous Verticality. The Bell Tower Outdoor Wall Light presents a bold and architectural statement for sophisticated exteriors, characterized by its enchanting backlit glow. Each outdoor sconce features a beautifully organic panel of either Basalt or Travertine, chosen for its innate beauty and textured depth. This natural stone is dramatically backlit by 4CCT LEDs, creating a stunning luminous column that elevates any façade. Bell Tower luminaires are cultured expressions of modern design, offering a powerful yet diffused radiance that truly enhances the grandeur of a home.

FEATURES

- Driver concealed within the canopy
- Ambient and backlit illumination
- Natural stone features inclusions and variations in color and texture in each crafted piece
- Built in color temperature adjustability. Switch from 2700K/3000K/3500K/4000K

SPECIFICATIONS

Rated Life	54000 Hours
Standards	ETL, cETL, Wet Location Listed
Input	120-277 VAC, 50/60Hz
Dimming	ELV: 100-5%, TRIAC: 100-5%
Mounting	Can be mounted on wall in all orientations
Color Temp	2700K/3000K/3500K/4000K
CRI	90
Construction	Aluminum frame with stone shade and acrylic diffuser



WSW218628

Model & Size	Color Temp	Finish	LED Watts	LED Lumens	Delivered Lumens
WSW218628 28"	2700K/3000K/3500K/4000K	BV/BK Basalt Stone/Black	27.7W	2160	514
	2700K/3000K/3500K/4000K	WV/BK Beige Travertine/Black	27.7W	2160	514

Example: **WSW218628-WV/BK**

For custom requests please contact customs@modernforms.com