



Project: _____

Location: _____

Fixture Type: _____

Catalog Number: _____

AVAILABLE FINISHES:



Double Bubble

WS-82015

PRODUCT DESCRIPTION

When it comes to luxurious lighting, two spheres can be better than one. These twin luminous crystal ball diffusers provide beautiful balanced light around your interior walls.

FEATURES

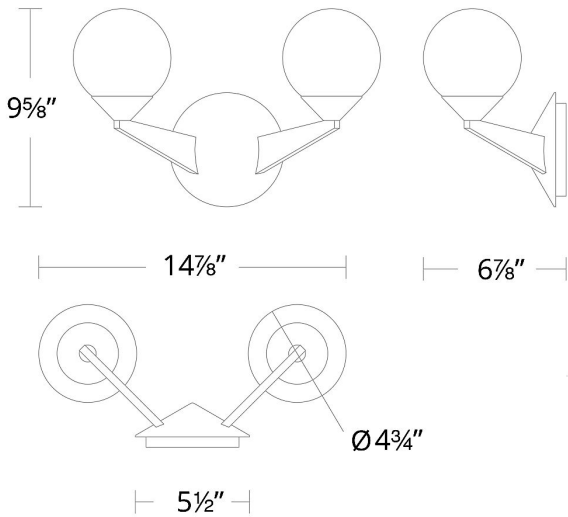
- Driver concealed within the canopy
- Light is evenly diffused through laser etched crystal ball
- Not recommended for dimming @220V

SPECIFICATIONS

Rated Life	50,000 Hours
Standards	ETL, cETL,Damp Location Listed,Title 24 JA8: 2019 Compliant
Input	120-277 VAC,50/60Hz
Dimming	ELV
Color Temp	3000K
CRI	90
Construction	Metal body with laser etched crystal shade

REPLACEMENT PARTS

RPL-GLA-82006 - Replacement Glass



WS-82014

Model & Size	Color Temp	Finish	LED Watts	LED Lumens	Delivered Lumens
WS-82015 15"	3000K	AB Aged Brass	8W	768	730
	3000K	BK Black	8W	768	730
	3000K	SN Satin Nickel	8W	768	730

Example: **WS-82015-SN**

For custom requests please contact customs@modernforms.com

* WAC Home components required for tunable white or Dim-to-Warm mode. See WAC Home section on website for additional information or use QR code on the right

