

PD-41713S

Project:

Location:

Fixture Type:

Catalog Number:

**AVAILABLE FINISHES:**



# Cascade

PD-41713S

**FEATURES**

- Driver concealed within the canopy
- Hand-cut faceted K9 crystal
- Thin powered aircraft cables provide an ultra clean look for adjustable suspension height
- NEC CODE (314.24) requires that ceiling outlet boxes in the U.S. support up to 50 lbs.
- Built in color temperature adjustability. Switch from 2700K/3000K/3500K/4000K

**SPECIFICATIONS**

Rated Life	50,000 Hours
Standards	ETL, cETL,Damp Location Listed
Input	120-277 VAC,50/60Hz
Dimming	ELV
Color Temp	2700K/3000K/3500K/4000K
CRI	90
Construction	Steel body with crystal diffuser

**REPLACEMENT PARTS**

RPL-GLA-41719 - Glass

**Model & Size**

**Color Temp & CRI**

**Watt**

**Lumens**

**Finish**

Model & Size	Color Temp & CRI	Watt	Lumens	Finish
PD-41713S 20" - 13 Lights	2700K/3000K/ 90	98W	4878	AB Aged Brass
		98W	4878	BK Black
		98W	4878	PN Polished Nickel
	2700K/3000K/ 90	98W	4878	AB Aged Brass
		98W	4878	BK Black
		98W	4878	PN Polished Nickel

Example: **PD-41713S-PN**

For custom requests please contact [customs@modernforms.com](mailto:customs@modernforms.com)

\* WAC Home components required for tunable white or Dim-to-Warm mode. See WAC Home section on website for additional information or use QR code on the right





Project: \_\_\_\_\_

Location: \_\_\_\_\_

Fixture Type: \_\_\_\_\_

Catalog Number: \_\_\_\_\_

**AVAILABLE FINISHES:**



# Cascade

PD-41725S

**FEATURES**

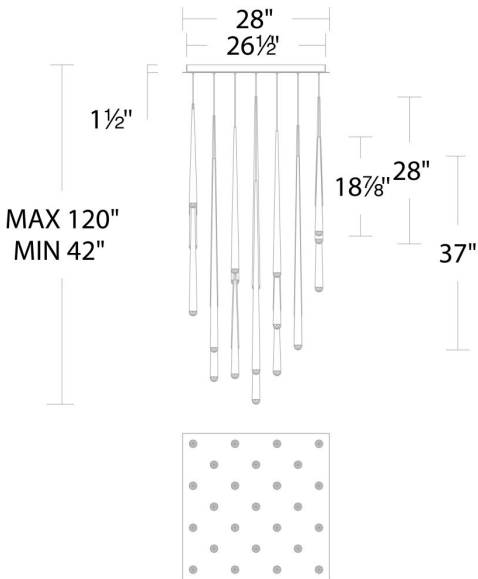
- Driver concealed within the canopy
- Hand-cut faceted K9 crystal
- Thin powered aircraft cables provide an ultra clean look for adjustable suspension height
- NEC CODE (314.24) requires that ceiling outlet boxes in the U.S. support up to 50 lbs.
- This fixture in the 25 and 41 light format exceeds 50 lbs. and must be installed using a U.L. listed outlet box approved for up to 100 lbs. and 175 lbs. or supported independently of the outlet box
- Built in color temperature adjustability. Switch from 2700K/3000K/3500K/4000K

**SPECIFICATIONS**

Rated Life	50,000 Hours
Standards	ETL, cETL, Damp Location Listed
Input	120-277 VAC, 50/60Hz
Dimming	ELV
Color Temp	2700K/3000K/3500K/4000K
CRI	90
Construction	Steel body with crystal diffuser

**REPLACEMENT PARTS**

RPL-GLA-41719 - Glass



PD-41725S

Model & Size	Color Temp & CRI	Watt	Lumens	Finish
PD-41725S 28" - 25 Lights	2700K/3000K/	182W	9381	AB Aged Brass
		182W	9381	BK Black
	2700K/3000K/	182W	9381	PN Polished Nickel
		90		
	2700K/3000K/	90		
		2700K/3000K/		

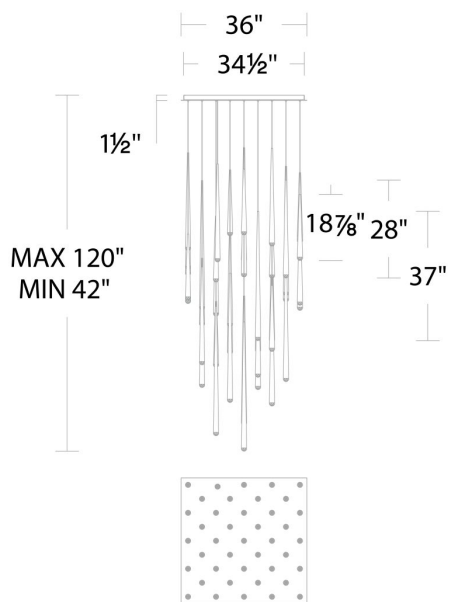


Example: **PD-41725S-PN**

For custom requests please contact [customs@modernforms.com](mailto:customs@modernforms.com)

\* WAC Home components required for tunable white or Dim-to-Warm mode. See WAC Home section on website for additional information or use QR code on the right





Project:

Location:

Fixture Type:

Catalog Number:

**AVAILABLE FINISHES:**



# Cascade

PD-41741S

**FEATURES**

- Driver concealed within the canopy
- Hand-cut faceted K9 crystal
- Thin powered aircraft cables provide an ultra clean look for adjustable suspension height
- NEC CODE (314.24) requires that ceiling outlet boxes in the U.S. support up to 50 lbs.
- This fixture in the 25 and 41 light format exceeds 50 lbs. and must be installed using a U.L. listed outlet box approved for up to 100 lbs. and 175 lbs. or supported independently of the outlet box
- Built in color temperature adjustability. Switch from 2700K/3000K/3500K/4000K

**SPECIFICATIONS**

Rated Life	50,000 Hours
Standards	ETL, cETL,Damp Location Listed
Input	120-277 VAC,50/60Hz
Dimming	ELV
Color Temp	2700K/3000K/3500K/4000K
CRI	90
Construction	Steel body with crystal diffuser

**REPLACEMENT PARTS**

RPL-GLA-41719 - Glass

PD-41741S

Model & Size	Color Temp & CRI	Watt	Lumens	Finish
PD-41741S 36" - 41 Lights	2700K/3000K/	294W	15385	AB Aged Brass
		294W	15385	BK Black
	2700K/3000K/	294W	15385	PN Polished Nickel
		90		
	2700K/3000K/	90		
		2700K/3000K/		
	90			



Example: **PD-41741S-PN**

For custom requests please contact [customs@modernforms.com](mailto:customs@modernforms.com)

\* WAC Home components required for tunable white or Dim-to-Warm mode. See WAC Home section on website for additional information or use QR code on the right

