



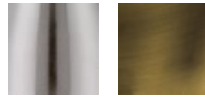
Project: _____

Location: _____

Fixture Type: _____

Catalog Number: _____

AVAILABLE FINISHES:



Ribeye

WS-50518

PRODUCT DESCRIPTION

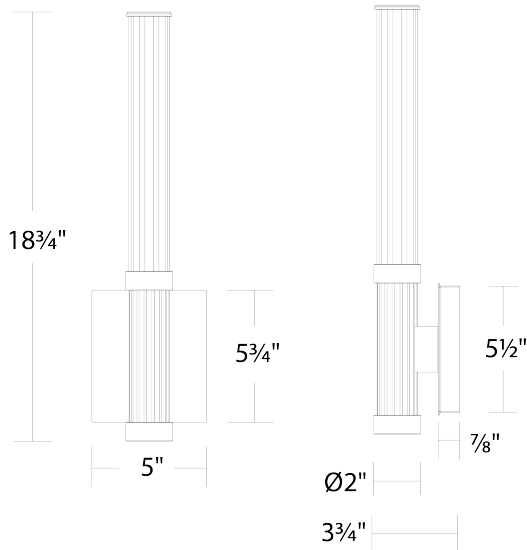
A ribbed glass tube intersected by a grooved column creates the elegant Ribeye wall sconce. Textured, 3000K illumination from an integrated LED filament enhances the space. Mount the light horizontally or vertically as desired.

FEATURES

- Driver concealed within the canopy
- Extruded reeded glass
- Grooved pattern frame

SPECIFICATIONS

Rated Life	50,000 Hours
Standards	ETL, cETL, Damp Location Listed
Input	120-277 VAC, 50/60Hz
Dimming	ELV: 100-10%, TRIAC: 100-10%
Mounting	Can be mounted on wall vertically or upside down
Color Temp	3000K
CRI	90
Construction	Aluminum body with ribbed glass and silicon diffuser



WS-50518

REPLACEMENT PARTS

- RPL-GLA-50518-AB - Extruded Glass with cap
- RPL-GLA-50518-BN - Extruded Glass with cap

Model & Size	Color Temp	Finish	LED Watts	LED Lumens	Delivered Lumens
WS-50518 19"	3000K	AB Aged Brass	10.3W	692	525
	3000K	BN Brushed Nickel	10.3W	692	525

Example: **WS-50518-BN**

For custom requests please contact customs@modernforms.com

* WAC Home components required for tunable white or Dim-to-Warm mode. See WAC Home section on website for additional information or use QR code on the right

