



Project:

Location:

Fixture Type:

Catalog Number:

AVAILABLE FINISHES:



Skyla

PD600605R

PRODUCT DESCRIPTION

Sculptural Light. Statement Presence. With its cascading composition of glowing orbs and a lustrous vintage brass finish, the Skyla Pendant captures the eye and commands the room. Five opal glass globes, suspended at varying heights in a vintage brass finished frame, form a dynamic vertical sculpture that brings movement, depth, and dimension to any space. The result is lighting that transcends function — an architectural centerpiece that shapes the environment around it. Skyla's diffused, ambient glow creates atmosphere while its sculptural form anchors the design. Its compatibility with the WAC Home system for Tunable White and Dim-to-Warm lighting means you can also create the perfect ambiance for your setting. Skyla is more than a fixture — it's a vision of mode lighting as art, designed to transform how we experience space, mood, and light

FEATURES

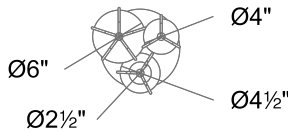
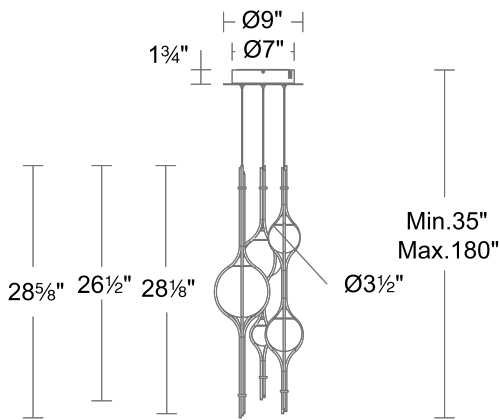
- Driver concealed within the canopy
- Mouth blown opal glass diffuser
- Thin, powered aircraft cables provide an ultraclean look for adjustable suspension height
- *Compatible with WAC Home system to create a personalized lighting experience. Components required for tunable white and dim-to-warm capabilities

SPECIFICATIONS

Rated Life	72000 Hours
Standards	ETL, cETL,Damp Location Listed
Input	120-277 VAC,50/60Hz
Dimming	ELV: 100-10%,TRIAC: 100-10%
Color Temp	3000K (WAC Home 1800K-4000K)*
CRI	90
Construction	Aluminum frame with mouth blown opal glass diffuser

REPLACEMENT PARTS

- RPL-GLA-600605-01 - Replacement Glass
- RPL-GLA-600605-02 - Replacement Glass
- RPL-GLA-600605-03 - Replacement Glass
- RPL-GLA-600605-04 - Replacement Glass
- RPL-GLA-600605-05 - Replacement Glass



PD600605R-TWA

Model & Size	Color Temp	Finish	LED Watts	LED Lumens	Delivered Lumens
PD600605R 29"	3000K (WAC Home 1800K-4000K)*	VB Vintage Brass	20.1W	2380	1580

Example: **PD600605R-TWA-VB**

For custom requests please contact customs@modernforms.com

* WAC Home components required for tunable white or Dim-to-Warm mode. See WAC Home section on website for additional information or use QR code on the right

