

Project:

Location:

Fixture Type:

Catalog Number:

AVAILABLE FINISHES:



Clarice

WS236618

PRODUCT DESCRIPTION

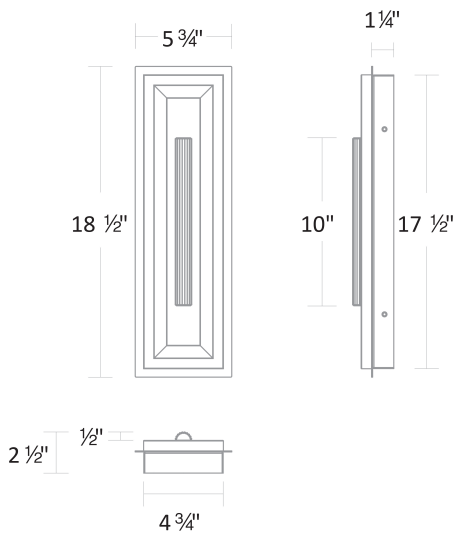
Sculptural Simplicity. The Clarice Wall Sconce transforms natural materials into luminous art. Inspired by carved stone columns, a slab of luxurious Spanish Alabaster diffuses light with soft, natural warmth, creating a dramatic interplay of light and shadow across the wall. The result is architectural yet organic: a sculptural piece that feels timeless in its simplicity and modern in its execution. Ideal for hallways or living spaces, Clarice offers versatility and elegance in equal measure. Designed with precision and powered by advanced LED technology, it provides consistent, energy-efficient illumination while maintaining a refined, gallery-worthy presence.

FEATURES

- Driver concealed within the canopy
- Front lit illuminated alabaster
- Premium natural Spanish alabaster stone features unique veining and color variation
- Decorative semicylindrical metal accent
- Patent Pending

SPECIFICATIONS

Rated Life	50,000 Hours
Standards	ETL, cETL,Damp Location Listed,Title 24 JA8: 2025 Compliant
Input	120-277 VAC,50/60Hz
Dimming	ELV, 0-10V, TRIAC, WAC Home*
Mounting	Can be mounted on wall vertically or upside down
Color Temp	3000K
CRI	90
Construction	Steel frame and aluminum accent with natural alabaster shade



WS236618

Model & Size	Color Temp	Finish	LED Watts	LED Lumens	Delivered Lumens
WS236618 19"	3000K	AB Aged Brass	31.9W	2,741	1,261
	3000K	AN Antique Nickel	31.9W	2,741	1,261

Example: **WS236618-AN**

For custom requests please contact customs@modernforms.com

* WAC Home components required for tunable white or Dim-to-Warm mode. See WAC Home section on website for additional information or use QR code on the right

