

INSTALLATION INSTRUCTIONS

Drift

PD-58738/58756/58784/58738F/58756F/58784F

MODERN FORMS

PREPARATION

1. Shut off the power at the circuit breaker and remove existing fixture, including the mounting hardware.

2. Carefully unpack your new fixture and lay out all the parts on a clear area. Be careful not to lose any small parts necessary for installation.

MOUNTING THE FIXTURE (FIG.1)

3. Drill holes in the ceiling aligned with the key hole location in the mounting plate.

4. Insert the mounting anchors (A) into holes.

5. Secure the mounting plate to the junction box using junction box screws (D).

NOTE: The side of the mounting plate marked "GND" must face out.

6. Fasten the wood screws (B) into the mounting anchors (A) (installed in the ceiling) and tighten.

7. Slide the glass (RPL-GLA-58756) into the fixture.

8. On each end of fixture, angle-in the end caps and press in to secure.

9. Adjust the fixture wire length by pressing the cable-grippers on canopy and pulling the wire. Make sure both wires are the same length.

10. Re-set the strain relief near the wiring holes.

CONNECTING THE WIRES (FIG.2)

11. Connect the transformer input wires with supply wires as shown (Fig. 2). Make sure that all wire connectors are secure.

12. Cut the fixture wires and leave at least 6". Connect with the transformer output wires (red).

NOTE: The fixture wires have two braided layers. Strip the two layers carefully.

If your outlet box has a ground wire, connect it to the fixture's ground wire. Otherwise, connect the fixture's ground wire directly to the mounting plate (D1) using the green screw provided. Tuck wires carefully inside the junction box.

13. Place the canopy over the mounting plate, secure with mounting screws (E).

14. Check if fixture is level and adjust cables if necessary.

***Continue instruction for changing to decorative wood canopy**

FIG.1

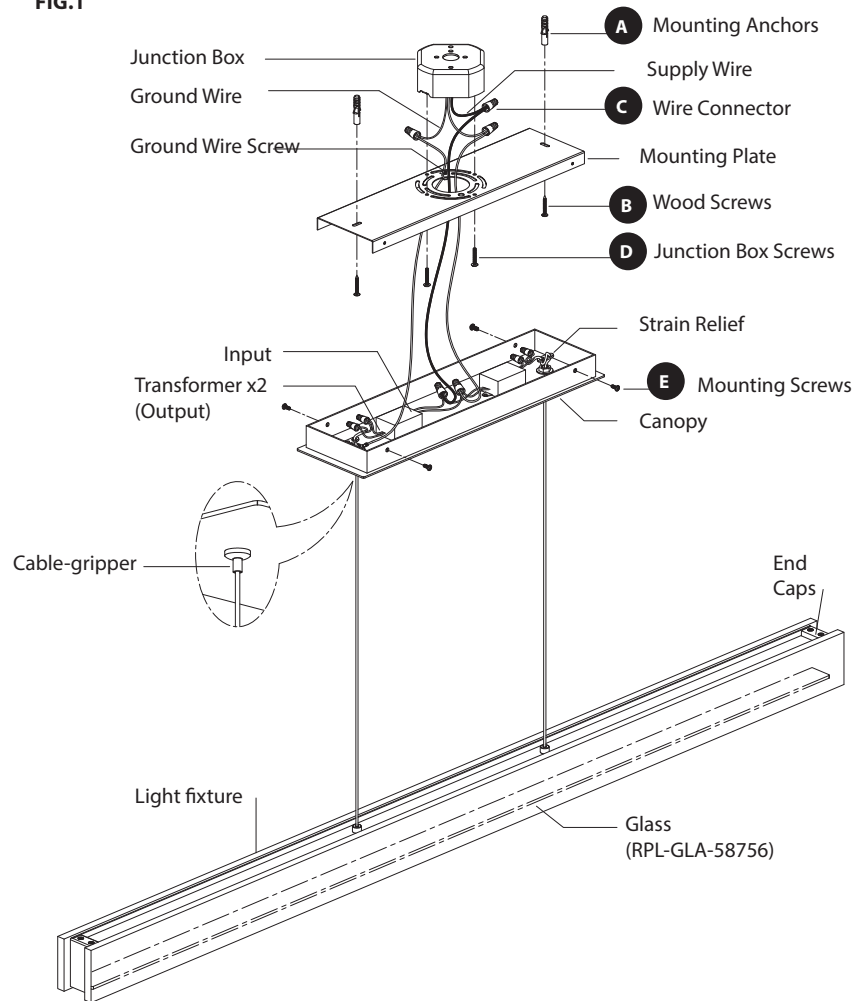


Fig.2 Wiring



Fixture Wires	House Wires
Black or Smooth	Black (Hot)
White or Ribbed	White (Neutral)
Bare wire (Ground)	Green or Bare Copper (Ground)

Modern Forms
www.modernforms.com
Phone (800) 526.2588 • Fax (800) 526.2585

Headquarters/Eastern Distribution Center
44 Harbor Park Drive • Port Washington, NY 11050
Phone (516) 515.5000 • Fax (516) 515.5050

Western Distribution Center
1750 Archibald Ave • Ontario, CA 91761
Phone (800) 526.2588 • Fax (800) 526.2585



INSTALLATION INSTRUCTION

Drift

PD-58738/58756/58784/58738F/58756F/58784F



MODERN FORMS
A WAC LIGHTING COMPANY

CHANGING TO DECORATIVE WOOD CANOPY

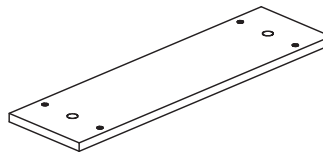
ACCESSORIES



Mounting Screw
Qty: 4pcs + 1 Extra
7601010101
5/32-32x1/2
zinc plating



Washer
Qty: 4pcs + 1 Extra
13005011
zinc plating

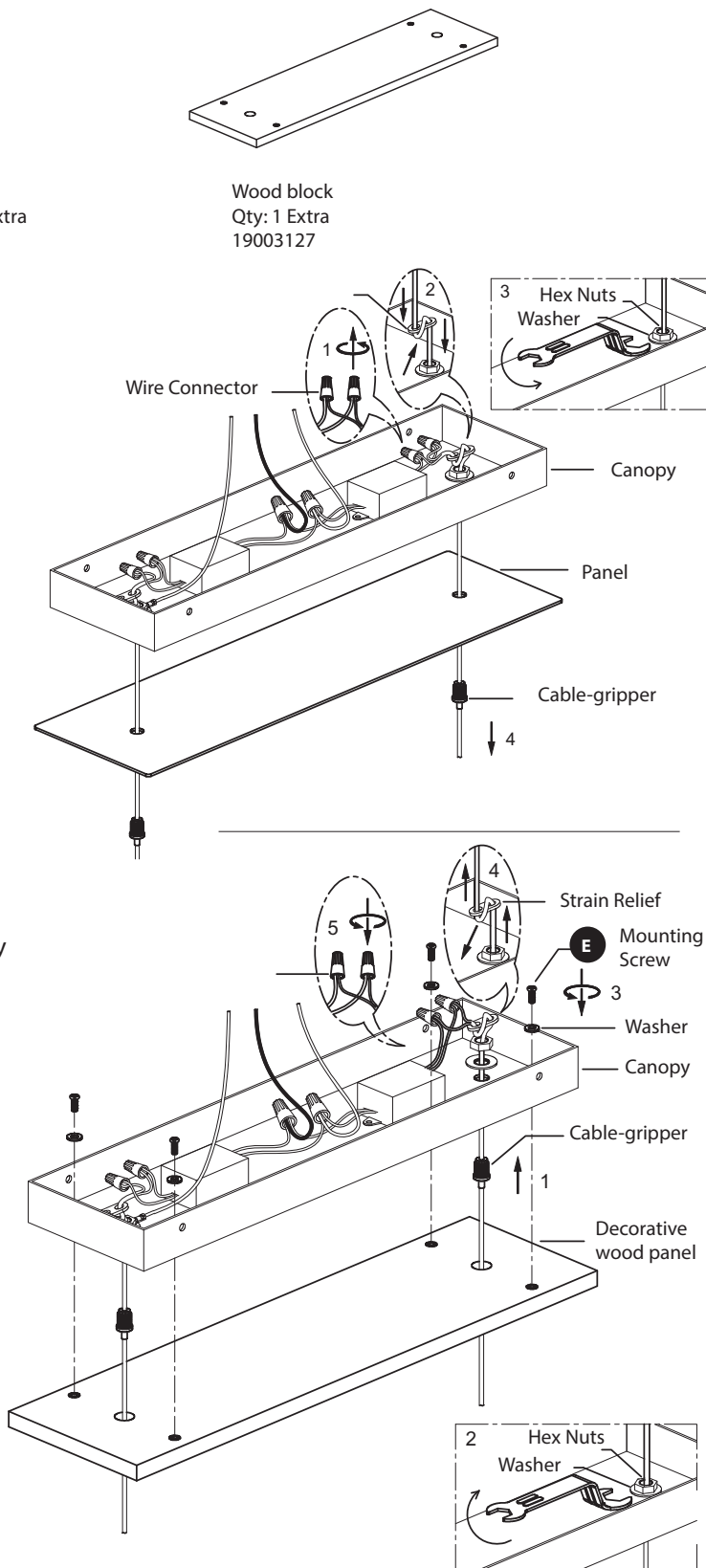


Wood block
Qty: 1 Extra
19003127

REMOVING THE FIXTURE AND METAL CANOPY

PREPARATION

1. Shut off the power at the circuit breaker and remove existing fixture, including the mounting hardware.
2. Remove the wire nut and separate the wire. (shown #1)
3. Remove the Strain Relief (shown #2) and use washer to unscrew hex nuts (shown #3)
4. Remove the cable and panel from the canopy assembly
5. Install the wire with the cable-gripper thru the decorative wood panel
6. Secure the cable-gripper from the decorative wood panel onto the canopy with washer and nut.
7. Install the mounting screw and washer to secure the canopy with the decorative wood panel.
8. Wire the cable thru the strain relief (shown #4)
9. Connect the transformer input wires with supply wires as shown in **Fig. 2**, making sure that all wire connectors are secured.
10. Place the canopy over the mounting plate, secure with mounting screws (E).



Modern Forms
www.modernforms.com
Phone (800) 526.2588 • Fax (800) 526.2585

Headquarters/Eastern Distribution Center
44 Harbor Park Drive • Port Washington, NY 11050
Phone (516) 515.5000 • Fax (516) 515.5050

Western Distribution Center
1750 Archibald Ave • Ontario, CA 91761
Phone (800) 526.2588 • Fax (800) 526.2585



INSTALLATION INSTRUCTION

Drift

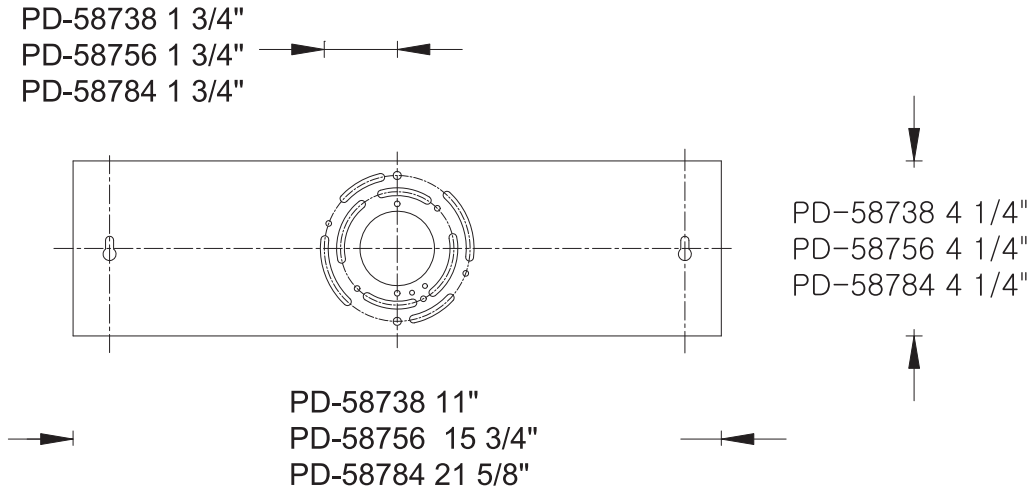
PD-58738/58756/58784/58738F/58756F/58784F



MODERN FORMS

A WAC LIGHTING COMPANY

BACKPLATE DIMENSION



Modern Forms

www.modernforms.com

Phone (800) 526.2588 • Fax (800) 526.2585

Headquarters/Eastern Distribution Center

44 Harbor Park Drive • Port Washington, NY 11050

Phone (516) 515.5000 • Fax (516) 515.5050

Western Distribution Center

1750 Archibald Ave • Ontario, CA 91761

Phone (800) 526.2588 • Fax (800) 526.2585



Modern Forms retains the right to modify the design of our products at any time as part of the company's continuous improvement program.