

INSTALLATION INSTRUCTIONS

6066-LED Pendant

PD606633

MODERN FORMS®

CAUTION: To prevent electrical shock, ensure electricity has been turned off at the circuit breaker before beginning.

- Read all instructions before installing.
- System is intended for installation by a licensed electrician in accordance with the National Electrical Code (NEC) and local regulations.
- When handling the fixture, do not apply pressure to the LEDs. Hold the fixture by the base only.
- Retain installation instructions for future maintenance reference.

WARNING: All parts must be used as indicated in these instructions. This product is designed for use only with the supplied parts and/or accessories designated for use by Modern Forms. Substitution of parts or accessories not designated for use with this product by Modern Forms could result in personal injury or property damage, and will void the warranty. Contact an authorized dealer or the manufacturer if any parts are damaged or missing.

MAINTENANCE NOTE: Coastal conditions may cause mineral and residue build-up on the fixture. We recommend that customers in coastal areas clean all external surfaces of the fixture once every two weeks with a wet cloth.

MISE EN GARDE: Pour éviter tout choc électrique, assurez-vous que le disjoncteur soit mis hors tension avant de commencer.

- Lisez toutes les instructions avant l'installation.
- Le système doit être installé par un électricien licencié conformément au code national de l'électricité (NEC), et également aux règlements locaux.
- Lors de la manipulation du luminaire, n'appuyez pas sur les LED. Tenez-le uniquement par la base.

ATTENTION: Toutes les pièces doivent être utilisées comme indiqué dans ces instructions. Ce produit est conçu pour être utilisé seulement avec les pièces et/ou accessoires fournis pour être utilisés avec les produits Modern Forms. Remplacer des pièces ou accessoires non conçus pour ce produit Modern Forms pourrait causer des dommages corporels ou matériels et pourrait également causer l'annulation de la garantie. Veuillez contacter un revendeur autorisé ou le fabricant si des pièces manquent ou sont endommagées.

NOTE D'ENTRETIEN: Les conditions côtières peut causer une accumulation de minéraux et de résidus sur le luminaire. Nous recommandons aux clients qui résident dans les zones côtières de nettoyer toutes les surfaces externes du luminaire une fois toutes les deux semaines avec un chiffon humide.

HARDWARE

A



Wire Connector
Qty: 5PCS+1 Extra

B



Mounting screw
Qty: 1Extra

C



Anchor screw
Qty:2PCS+1Extra

D



Plastic anchor
Qty:2PCS+1Extra

E



Wire Connector(P1)
Qty: 2PCS+1 Extra

ModernForms.com

Phone (866) 810-6615

Fax (800) 526-2585

Headquarters, East Manufacturing Facility

44 Harbor Park Drive

Port Washington, NY 11050

South East Manufacturing Facility

1600 Distribution Ct

Lithia Springs, GA 30122

Central Manufacturing Facility

1700 South J Elmer Freeway, Ste 100

Cedar Hill, TX 75104

West Manufacturing Facility

1750 S Archibald Ave

Ontario, CA 91761

INSTALLATION INSTRUCTIONS

6066-LED Pendant

PD606633

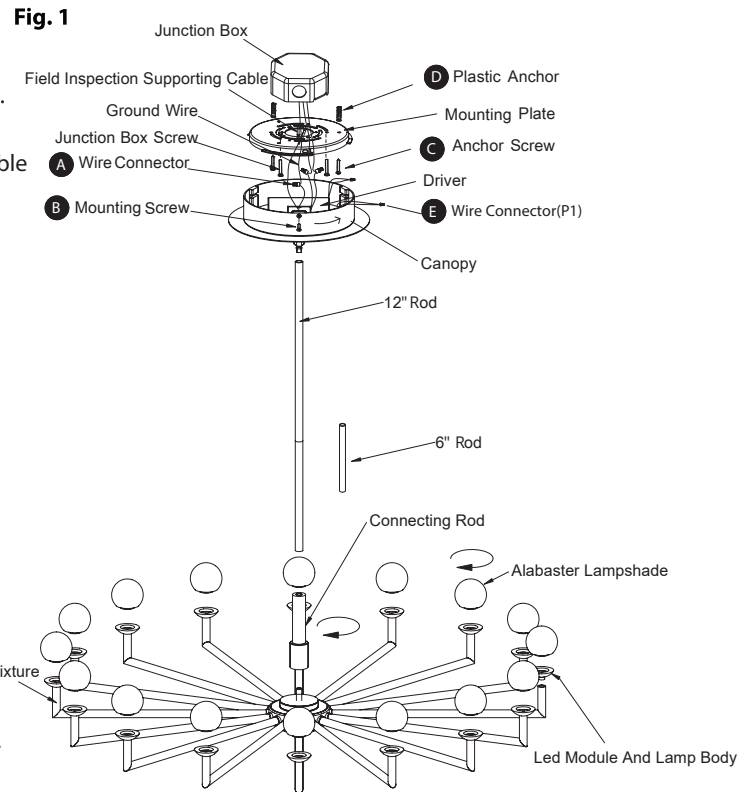
MODERN FORMS®

PREPARATION

1. Shut off the power at the circuit breaker and remove existing fixture, including the crossbar.
2. Carefully unpack your new fixture and lay out all the parts on a clear area. Be careful not to lose any small parts necessary for installation.
Note: When installing or inspecting the circuit, please remove all removable accessories (such as lampshades, crystal ornaments, etc.).

MOUNTING THE FIXTURE (Fig. 1)

3. Remove the mounting screw (B) and mounting plate from the fixture.
4. Drill holes in the wall aligned with the holes located in the mounting plate, insert the plastic anchor (D);
5. Secure the mounting plate to the junction box using standard junction box screws that come with the junction box. Fasten it to the wall using anchor screw (C) onto the plastic anchor.
Note: (i) Using any other non-original-manufacturer provided junction box screw may result in safety issue;
(ii) The side of the mounting plate marked "GND" must face out.
6. Choose the number of down rods suitable of your application.
7. Thread the fixture wire through the rods, swivels and canopy. Connect the fixture, rods and swivels. Make sure all are tightened.
Note: Due to limited space within the canopy, shorten the cable as necessary to make the installation easier. Make sure to identify and label all the wiring properly before any trimming/shortening.
8. Hook the field inspection supporting cable to the mounting plate. This aids in wiring.



CONNECTING THE WIRES (Fig. 2)

9. Connect the driver's output wires and fixture's wires together using wire connectors P1 (E) as shown in Fig.3.
10. Connect the driver's input wires to junction box wires as shown in Fig. 2, making sure that all wire connectors (A) are secured. If your outlet box has a green or bare copper grounding wire, connect the fixture's grounding wire to it. After wires are connected, tuck them carefully inside the junction box.
11. Secure the fixture by mounting the canopy to the ring of the mounting plate. Turn and rotate the canopy in the direction of the arrow until it stops. Fasten the canopy to the mounting plate using the mounting screw (B). Finally, install all the alabaster lampshades onto the fixture.
12. For slope ceiling application, rotate swivel at the top of the stem to ensure luminaire is aiming down (Fig. 4)

NOTE: DIMMING WIRING INFORMATION (Fig. 3)

13. This fixture features electronic low voltage (ELV or TRAIC) or 0-10V dimming capabilities. See notes below for specific dimming wires information.
 14. To utilize ELV or TRAIC dimming: use wires black (hot), white (neutral) and bare copper ground wire (ground).
 15. To utilize 0-10V dimming: use wire purple (dim+), pink or gray (dim-), black (hot), white (neutral) and bare copper ground wire (ground).
- NOTE: Make sure to connect 0-10V prior to power-up the fixture in order to allow the 0-10V dimming to function properly.

Fig. 2 Wiring

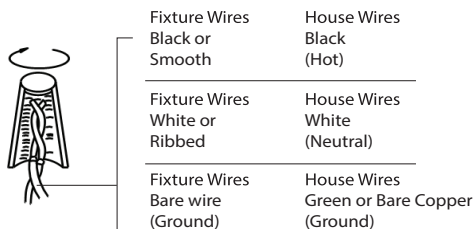
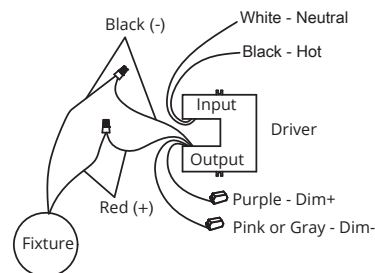


Fig.3 Driver Wires



Mounting Plate Dimensions

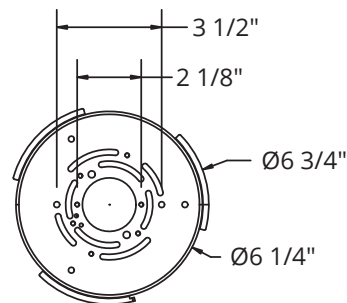
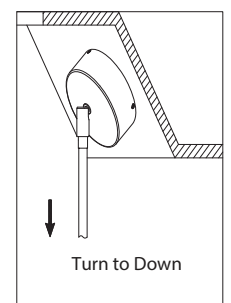


Fig. 4



ModernForms.com
Phone (866) 810-6615
Fax (800) 526-2585

Headquarters, East Manufacturing Facility
44 Harbor Park Drive
Port Washington, NY 11050

South East Manufacturing Facility
1600 Distribution Ct
Lithia Springs, GA 30122

Central Manufacturing Facility
1700 South J Elmer Freeway, Ste 100
Cedar Hill, TX 75104

West Manufacturing Facility
1750 S Archibald Ave
Ontario, CA 91761