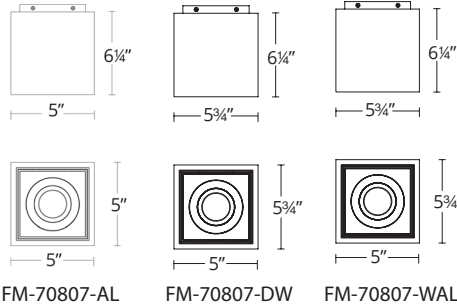


# BOX

FM-70807 / FM-70811 / FM-70818

Flush Mounts

# MODERN FORMS

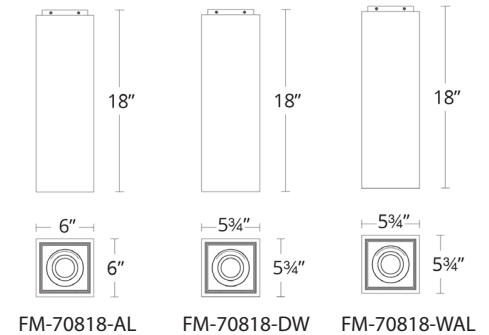
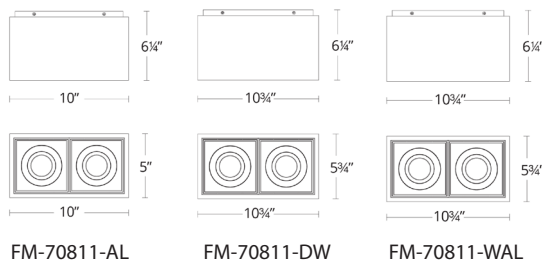


Fixture Type: \_\_\_\_\_

Catalog Number: \_\_\_\_\_

Project: \_\_\_\_\_

Location: \_\_\_\_\_



## PRODUCT DESCRIPTION

Sometimes you need to think inside the box, which is why we crafted this design with a continuously adjustable beam of light that ranges from 15 to 45 degrees. This is installation-friendly minimalist design at its finest, with cutting-edge technology, easy-to-use features and the flexibility to mount on both ceilings and walls. Available in walnut, dark walnut and brushed aluminum.

## SPECIFICATIONS

**Construction:** Extruded aluminum surface mount, encased in light or dark walnut

**Light Source:** High output LED

**Finish:** Brushed Aluminum, Dark Walnut, Walnut

**Standards:** ETL & cETL listed

## FEATURES

- Tempered glass conceals and protects LED modules inside
- Continuously adjustable beam angle from 15° to 45°
- Can be mounted on wall or ceiling
- Universal Driver (120V-220V-277V) located in 4" junction box
- Dimmer: ELV, 0-10V
- Rated Life: 43,000 hours
- Color Temp: 3000K
- CRI: 90

## ORDER NUMBER

Model	# of lights	Wattage	Voltage	LED Lumens	Delivered Lumens	Finish
<b>FM-70807</b>	1	16W		750	729	<b>AL</b> <i>Brushed Aluminum</i>
<b>FM-70811</b>	2	31W	120V-277V	1500	1400	<b>DW</b> <i>Dark Walnut</i>
<b>FM-70818</b>	3	16W		750	729	<b>WAL</b> <i>Walnut</i>

Example: **FM-70811-DW**

modernforms.com  
Phone (800) 526.2588  
Fax (800) 526.2585

Headquarters/Eastern Distribution Center  
44 Harbor Park Drive  
Port Washington, NY 11050

Central Distribution Center  
1600 Distribution Ct  
Lithia Springs, GA 30122

Western Distribution Center  
1750 Archibald Avenue  
Ontario, CA 91760