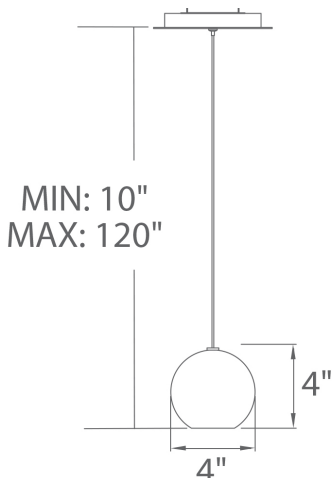


ACID

PD-15604

LED Interior Pendants & Chandeliers

MODERN FORMS



Fixture Type:

Catalog Number:

Project: _____

Location: _____

PRODUCT DESCRIPTION

Surrealistic droplets of metallic liquid artfully suspended. Powerful LED downlights concealed within these chrome-plated metal shades provide functional illumination comparable to halogen MR16s. String individually or drop them in clusters for the full mind-blowing experience.

FEATURES

- ETL & cETL Damp Location listed
- Universal Driver (120V-277V) installs within junction box
- Thin power aircraft cables provide an ultra clean look for adjustable suspension height
- Dimmer: ELV
- Rated Life: 70,000 hours
- Color Temp: 3000K
- CRI: 90

SPECIFICATIONS

Construction: Steel body with glass diffuser

Light Source: High output LED

Finish: Polished Nickel (PN), Black (BK)

Standards: ETL & cETL Damp Location listed

ORDER NUMBER

Model	Wattage	Voltage	LED Lumens	Delivered Lumens	Finish
PD-15604	11W	120V-277V	640	485	PN Polished Nickel BK Black

Example: **PD-15604-PN**

modernforms.com
Phone (800) 526.2588
Fax (800) 526.2585

Headquarters/Eastern Distribution Center
44 Harbor Park Drive
Port Washington, NY 11050

Central Distribution Center
1600 Distribution Ct
Lithia Springs, GA 30122

Western Distribution Center
1750 Archibald Avenue
Ontario, CA 91760