

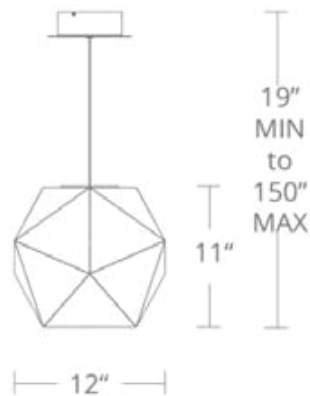


Fixture Type:

Catalog Number:

Project:

Location:



PD-62812

PRODUCT DESCRIPTION

Riddle's intricate pattern and joinery is no joke —our expert craftsmen use a special wet etching process to create a textural motif that looks like a mash up of Sol Lewitt and the complex geometric shapes of Islamic architecture. Inside, an acrylic diffuser shields the high-performance LED modules to create a glare-free illumination, which peekaboos through the etchings and creates stunning patterns on the nearest surface. A true statement piece with a bold black finish.

FEATURES

- Wet-etched steel with matching black cables and hardware
- Injection-molded acrylic diffuser inside
- **Universal Driver** (120V-220V-277V) within canopy
- **Title 24 Compliant**
- Dimmer: ELV, 0-10V
- CRI: 90
- Rated Life: 50,000 hours
- Minimum Suspension: 19", Maximum Suspension: 150"

SPECIFICATIONS

Construction: Steel

Light Source: High output LED

Finish: Black

Standards: ETL & cETL listed

ORDER NUMBER

Model	Wattage	Voltage	LED Lumens	Delivered Lumens	Finish	
PD-62812	12"	16W	120V-277V	435	379	BK <i>Black</i>

Example: **PD-62812-BK**

modernforms.com
Phone (866) 810.6615
Fax (800) 526.2585

Headquarters/Eastern Distribution Center
44 Harbor Park Drive
Port Washington, NY 11050

Central Distribution Center
1600 Distribution Ct
Lithia Springs, GA 30122

Western Distribution Center
1750 Archibald Avenue
Ontario, CA 91760